

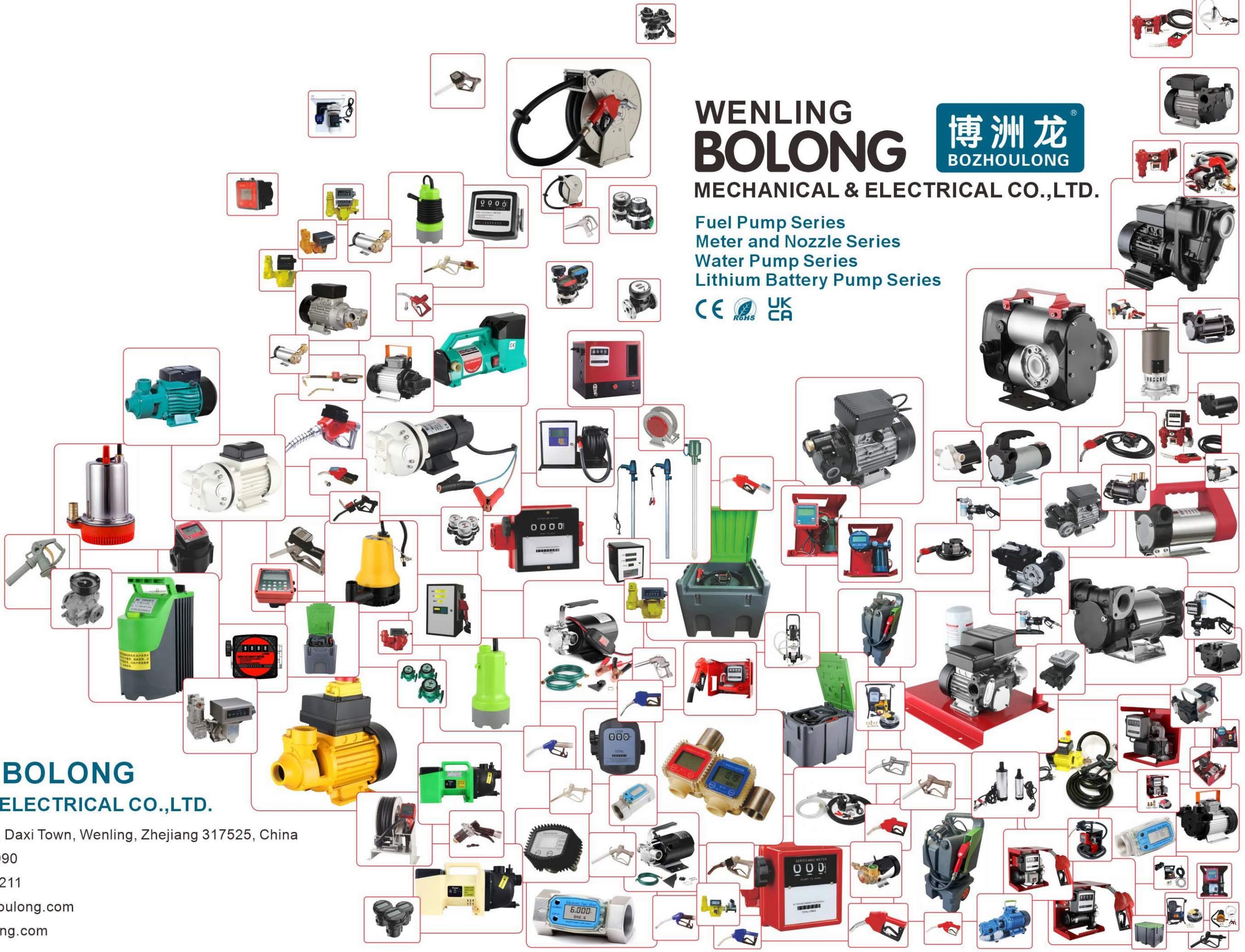


WENLING BOLONG



MECHANICAL & ELECTRICAL CO.,LTD.

Fuel Pump Series
Meter and Nozzle Series
Water Pump Series
Lithium Battery Pump Series



WENLING BOLONG MECHANICAL & ELECTRICAL CO.,LTD.

📍 Add: Dianxia Village, Daxi Town, Wenling, Zhejiang 317525, China
☎ Tel: +86-576-86339990
☎ Fax: +86-576-86339211
✉ E-mail: sales@bozhoulong.com
🌐 http://www.bozhoulong.com

博洲龙
BOZHOU LONG

COMPANY PROFILE

Wenling Bolong Mechanical & Electrical Co., Ltd is a fuel transfer solutions manufacturer that specialized in manufacturing, selling and servicing of Oil Pump, Fuel Dispenser, Flow Meter, Nozzle and accessories etc. Meanwhile, we also produce some Submersible Water Pump and Solar Pump for agricultural irrigation system. Established in 2002 and located in "hometown of pump": Daxi town, Wenling City, Zhejiang Province, China.

Thanks to science and technology for development, Bolong constant pursuit is providing customers from all over the world with advanced products. Business range covered overseas and domestic market.

Here always keeping the launch of new products to widely usage in different fields. Adhered to professional development since the establishment, obtained the international and domestic market with leading technology, superb solutions and full technical service concept for transferring of fuels and liquids. All of the pumps comply with CE, RoHS certification. We constantly focused on the consideration for human and environmental health.

Sincerely welcome friends from all over the world, with the necessary professionalism and integrity to build stable, long-lasting relationships, conducted to brilliance future for each other.



WENLING
BOLONG
MECHANICAL & ELECTRICAL CO.,LTD.



FLUIDS TYPE



博洲龙
BOZHOU LONG

CATEGORY



FUEL PUMPS

P01-29



FUEL TANK/DISPENSER /HOSE REEL

P30-35



METERS

P36-46



NOZZLES

P47-53



ACCESSORIES

P54-59



DIAPHRAGM PUMPS

P60-61



WATER PUMPS

P62-63



LITHIUM BATTERY PUMPS

P64-67





DC FUEL TRANSFER PUMP



SPECIFICATION

Electric self-priming compact portable rotary vane pump.
Built-in bypass valve design for safe and dependable fuel delivery.
Available to equip with fuel transfer accessories: Flow meter, Nozzle and stationary installations.

MATERIALS

- BODY: CAST IRON
- ROTOR: SINTERED STEEL
- VANES: ACETAL RESIN
- SEAL: NBR
- SHAFT: STEEL
- MOTOR: CARBON BRUSH PERMANENT MAGNET

- DUTY CYCLE: 30MIN

PERFORMANCE

UP TO
50 L/MIN

FLOW RATE

DC
12~24V

VOLTAGE

300W

POWER

INLET/OUTLET
3/4"

CALIBER

DANGER

ONLY FOR USE WITH DIESEL FUEL
DO NOT USE FOR/WITH

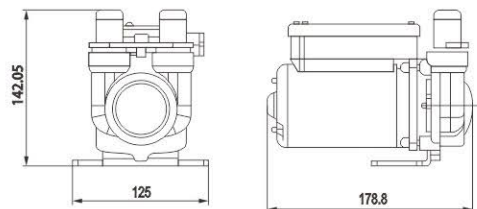
- GASOLINE (PETROL)
- SOLVENTS WITH FLASH POINT < 55°C



DYB-50



DYB-50U



DC FUEL TRANSFER PUMP



SPECIFICATION

Electric self-priming compact portable rotary vane pump.
Built-in bypass valve design for safe and dependable fuel delivery.
Available to equip with fuel transfer accessories: Flow meter, Nozzle and stationary installations.

MATERIALS

- BODY: CAST IRON
- ROTOR: SINTERED STEEL
- VANES: ACETAL RESIN
- SEAL: NBR
- SHAFT: STEEL
- MOTOR: CARBON BRUSH PERMANENT MAGNET

- DUTY CYCLE: 30MIN

- INLET HOSE: 2M PVC
- OUTLET HOSE: 4M NBR
- NOZZLE: AUTOMATIC/MANUAL



DYB-50HT



DYB-50UHT



TECHNICAL DATA

MODEL	FLUIDS TYPE	FLOW-RATE L/MIN	VOLTAGE VOLT	POWER WATT	SPEED RPM	THREADED PORTS BSP	PRESSURE BAR	Suction M
DYB-50-12V	DK	50	12	300	3200	3/4"	1.3	3
DYB-50-24V	DK	50	24	300	3200	3/4"	1.3	3
DYB-50U-12V	DK	50	12	300	3200	3/4"	1.3	3
DYB-50U-24V	DK	50	24	300	3200	3/4"	1.3	3

TECHNICAL DATA

MODEL	FLUIDS TYPE	FLOW-RATE L/MIN	VOLTAGE VOLT	POWER WATT	SPEED RPM	THREADED PORTS BSP	PRESSURE BAR	Suction M
DYB-50HT-12V	DK	50	12	300	3200	3/4"	1.3	3
DYB-50HT-24V	DK	50	24	300	3200	3/4"	1.3	3
DYB-50UHT-12V	DK	50	12	300	3200	3/4"	1.3	3
DYB-50UHT-24V	DK	50	24	300	3200	3/4"	1.3	3



ELECTRIC FUEL TRANSFER PUMP

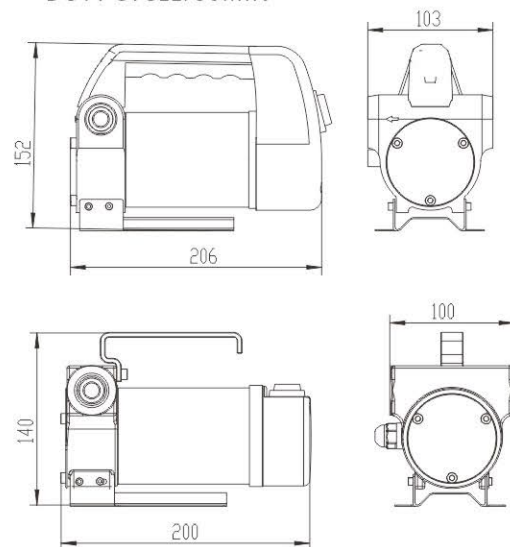


SPECIFICATION

Electric self-priming compact portable rotary vane pump.
Built-in bypass valve design for safe and dependable fuel delivery.
Available to equip with fuel transfer accessories: Flow meter, Nozzle and stationary installations.

MATERIALS

- BODY: CAST IRON
- ROTOR: SINTERED STEEL
- VANES: ACETAL RESIN
- SEAL: NBR
- SHAFT: STEEL
- MOTOR: CARBON BRUSH PERMANENT MAGNET
- DUTY CYCLE: 30MIN



DYB-40-1



DYB-40-2



DYB-40-3



DYB-40-4

TECHNICAL DATA

MODEL	FLUIDS TYPE	FLOW-RATE L/MIN	VOLTAGE VOLT	POWER WATT	SPEED RPM	THREADED PORTS BSP	PRESSURE BAR	Suction M
DYB-40-1-12V	D K	40	12	160	3200	3/4"	1	2
DYB-40-1-24V	D K	40	24	160	3200	3/4"	1	2
DYB-40-1	D K	40	220/110	160	3200	3/4"	1	2
DYB-40-2-12V	D K	40	12	160	3200	3/4"	1	2
DYB-40-2-24V	D K	40	24	160	3200	3/4"	1	2
DYB-40-2	D K	40	220/110	160	3200	3/4"	1	2
DYB-40-3-12V	D K	40	12	160	3200	3/4"	1	2
DYB-40-3-24V	D K	40	24	160	3200	3/4"	1	2
DYB-40-3	D K	40	220/110	160	3200	3/4"	1	2
DYB-40-4-12V	D K	40	12	160	3200	3/4"	1	2
DYB-40-4-24V	D K	40	24	160	3200	3/4"	1	2
DYB-40-4	D K	40	220/110	160	3200	3/4"	1	2

ELECTRIC FUEL TRANSFER PUMP



SPECIFICATION

Electric self-priming compact portable rotary vane pump.
Built-in bypass valve design for safe and dependable fuel delivery.
Available to equip with fuel transfer accessories: Flow meter, Nozzle and stationary installations.

PERFORMANCE

UP TO 40 L/MIN	DC/AC
FLOW RATE	VOLTAGE
160W	INLET/OUTLET 3/4"
POWER	CALIBER



DYB-40HT

DANGER

ONLY FOR USE WITH DIESEL FUEL
DO NOT USE FOR/WITH

- GASOLINE (PETROL)
- SOLVENTS WITH FLASH POINT < 55°C



DYB-40AT



TECHNICAL DATA

MODEL	FLUIDS TYPE	FLOW-RATE L/MIN	VOLTAGE VOLT	POWER WATT	SPEED RPM	THREADED PORTS BSP	PRESSURE BAR	Suction M
DYB-40HT-12V	D K	40	12	160	3200	3/4"	1	2
DYB-40HT-24V	D K	40	24	160	3200	3/4"	1	2
DYB-40HT	D K	40	220/110	160	3200	3/4"	1	2
DYB-40AT-12V	D K	40	12	160	3200	3/4"	1	2
DYB-40AT-24V	D K	40	24	160	3200	3/4"	1	2
DYB-40AT	D K	40	220/110	160	3200	3/4"	1	2



FUEL PUMPS



DISPENSERS HOSE REEL



METERS



NOZZLES



ACCESSORIES



DIAPHRAGM PUMPS



WATER PUMPS



LITHIUM BATTERY PUMPS

DC ELECTRIC FUEL TRANSFER PUMPS

DYB-D3570



- 35L/MIN(12V)
70L/MIN(24V)
- 1800RPM(12V)
3500RPM(24V)
- 1" BSP
- 16A(12V),25A(24V)
- 2 Bar
- Suction 3M



These pumps are rotary vane type, self-priming, with high flow rate and easy operation and installation. Besides,featuring an integrated bypass valve and suction filter, they are also equipped with a mechanical seal that ensures a high standard of reliability even at low operating temperatures.The version 24/12 can be used with both tension.

TECHNICAL SPECIFICATIONS

- Pump body in cast iron with anti-corrosion treatment and painting.
- Support base.
- Pump of the blade type with sintered steel rotor and acetalic resin vanes.
- Mechanical seal.
- Incorporated bypass valve.
- D.C. motor with brushes and permanent magnets.
- Connector block with ON/OFF switch.
- Protection fuse.
- Degree of protection IP55.
- Filter 100 μ incorporated in pump body, easy access for maintenance.
- Threaded 1" coupling directly on pump body. overload protection.
- 1" flanged connectors, external filter.

DC MINI ELECTRIC SUBMERSIBLE PUMP



- Mini Size compact design
- Suitable for diesel, kerosene and clean water.



DYB-25



DYB-25A

TECHNICAL DATA

MODEL	FLUIDS TYPE	FLOW-RATE	VOLTAGE	POWER	DUTY-CYCLE	DIAMETER	HOSE	NOZZLE
		L/MIN	VOLT	WATT	MINUTES			
DYB-25-12V	D K W	30	12	60	30	51	-	-
DYB-25-24V	D K W	30	24	60	30	51	-	-
DYB-25A-12V	D K W	15	12	40	30	38	-	-
DYB-25AH-12V	D K W	15	12	40	30	38	2	10



DYB-D3570HT

- 35L/MIN(12V)
70L/MIN(24V)
- 1800RPM(12V)
3500RPM(24V)
- 16A(12V),25A(24V)
- NOZZLE: Automatic 12KG
- 1/CTN 44X39X21CM
- WITH METAL GUN
- WITH 4 METERS RUBBER HOSE
- Suction 3M



DYB-25AH-12V





FUEL PUMPS



DISPENSERS HOSE REEL



METERS



NOZZLES



ACCESSORIES



DIAPHRAGM PUMPS



WATER PUMPS



LITHIUM BATTERY PUMPS

DC FUEL TRANSFER PUMP



DYB-15X-12V DYB-15X-24V

- 57L/MIN, 15GPM
- Power:1/3HP
- Explosion-proof permanent magnet motor with thermal overload protection
- Built-in strainer, by-pass valve
Is designed for tank or barrel mounting
- Ball bearing construction, no lubrication required
- 30 minute duty cycle/not for continuous
- Rain proof
- 1/ctn 11/10kgs 26.5x25x36cm
- Pressure: 1Bar
- Suction 3M



DYB-15XH-12V DYB-15XH-24V

- 57L/MIN, 15GPM
- Power:1/3HP
- With 4 meters rubber diesel hose
- With automatic nozzle
- Explosion-proof permanent magnet motor with thermal overload protection
- Built-in strainer, bypass valve
Is designed for tank or barrel mounting
- 30 minute duty cycle/not for continuous
- Rain proof
- 1/ctn 15/14kgs 38x35x25cm
- Suction 3M



DYB-15XT-12V DYB-15XT-24V

- 57L/MIN, 15GPM
- Power:1/3HP
- With 4 digital meter
- With 4 meters rubber diesel hose
- With automatic nozzle
- Explosion-proof permanent magnet motor with thermal overload protection
- Built-in strainer, bypass valve
Is designed for tank or barrel mounting
- 30 minute duty cycle/not for continuous
- Rain proof
- 1/ctn 16/15kgs 47x31x41cm
- Suction 3M



DC FUEL TRANSFER PUMP



DYB-20X-12V DYB-20X-24V

- 75L/MIN, 20GPM
- Power:1/3HP
- Explosion-proof permanent magnet motor with thermal overload protection
- Built-in strainer, bypass valve
Is designed for tank or barrel mounting
- Ball bearing construction, no lubrication required
- 30 minute duty cycle/not for continuous
- Rain proof
- 1/ctn 11/10kgs 26.5x25x36cm
- Pressure: 1Bar
- Suction 3M



DYB-20XH-12V DYB-20XH-24V

- 75L/MIN, 20GPM
- Power:1/3HP
- With 4 meters rubber diesel hose
- With automatic nozzle
- Explosion-proof permanent magnet motor with thermal overload protection
- Built-in strainer, bypass valve
Is designed for tank or barrel mounting
- 30 minute duty cycle/not for continuous
- Rain proof
- 1/ctn 15/14kgs 38x35x25cm
- Suction 3M



DYB-20XT-12V DYB-20XT-24V

- 75L/MIN, 20GPM
- Power:1/3HP
- With 4 digital meter
- With 4 meters rubber diesel hose
- With automatic nozzle
- Explosion-proof permanent magnet motor with thermal overload protection
- Built-in strainer, bypass valve
Is designed for tank or barrel mounting
- 30 minute duty cycle/not for continuous
- Rain proof
- 1/ctn 16/15kgs 47x31x41cm
- Suction 3M





FUEL PUMPS



DISPENSERS HOSE REEL



METERS



NOZZLES



ACCESSORIES



DIAPHRAGM PUMPS



WATER PUMPS



LITHIUM BATTERY PUMPS

DYB-EX30

DYB-EX30 is a compact and sturdy ATEX vane pump; expressly engineered to work safely in potentially explosives atmosphere. This pump is easy to place thanks to the small sizes. It is equipped with built-in bypass valve and a thermal protected motor.



FEATURES

- COMPACT AND STURDY DESIGN
- EASY TO INSTALL
- BUILT-IN BYPASS
- THERMAL PROTECTION
- REDUCED NOISE LEVEL
- SELF-PRIMING



PERFORMANCE

UP TO
32 L/MIN

FLOW RATE

DC

VOLTAGE

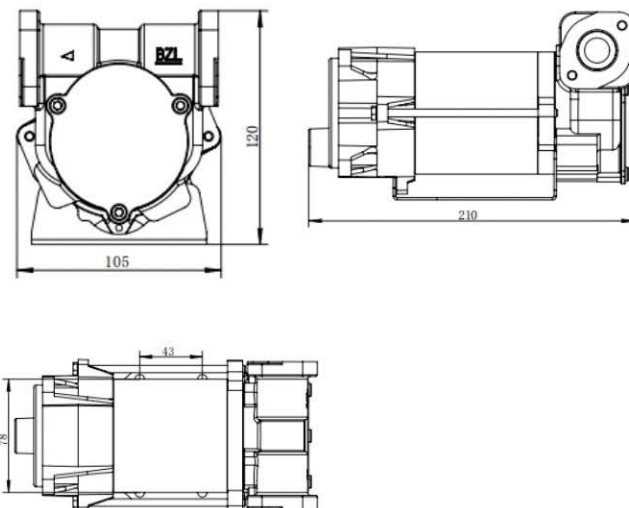
100W

POWER

INLET/OUTLET
3/4"

CALIBER

DIMENSIONS



MATERIALS

- BODY: CAST IRON
- ROTOR: SINTERED STEEL
- VANES: PPS
- SEAL: FKM
- SHAFT: STEEL

TECHNICAL DATA

MODEL	FLUIDS TYPE	FLOW-RATE L/MIN	VOLTAGE VOLT	POWER WATT	DUTY-CYCLE MINUTES	SPEED RPM	INLET BSP	Suction M	Pressure bar
DYB-EX30		30	12	80	30	1400	3/4"	3	0.7

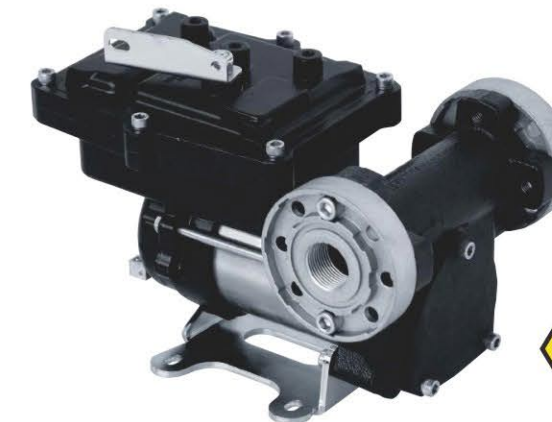
DYB-EX50/75

The DYB-EX75 is a compact and sturdy pump that satisfies the strictest ATEX/ IECEx requirements concerning the usage of this equipment in potentially explosive atmospheres. It is equipped with built-in bypass valve, non-return valve and anti-noise filter.



FEATURES

- COMPACT AND STURDY DESIGN
- FLANGED COMPONENTS
- ANTI-NOISE FILTER
- THERMAL PROTECTION
- SUCTION UNIT WITH INTEGRATED FILTER(DRUM VERSION)
- UL VERSION AVAILABLE
- Pressure: 1.5Bar



PERFORMANCE

UP TO
50/75 L/MIN

FLOW RATE

DC

VOLTAGE

250W

POWER

INLET/OUTLET
1"

CALIBER

DETAILS

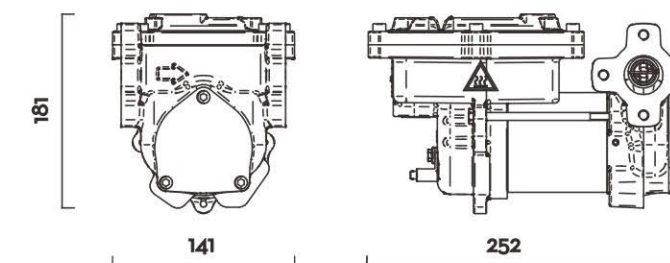


ON/OFF SWITCH



FLANGED CONNECTIONS

DIMENSIONS



MATERIALS

- BODY: CAST IRON
- ROTOR: SINTERED STEEL
- VANES: PPS
- SEAL: VITON
- SHAFT: STEEL

TECHNICAL DATA

MODEL	FLUIDS TYPE	FLOW-RATE L/MIN	VOLTAGE VOLT	POWER WATT	AMP. MAX. A	SPEED RPM	INLET BSP	Suction M
DYB-EX50-12V		50	12	250	21	2700	1"	3
DYB-EX50-24V		50	24	250	11	2700	1"	3
DYB-EX75-12V		75	12	250	20	2700	1"	3
DYB-EX75-24V		75	24	250	10	2700	1"	3



FUEL PUMPS



DISPENSERS HOSE REEL



METERS



NOZZLES



ACCESSORIES



DIAPHRAGM PUMPS



WATER PUMPS



LITHIUM BATTERY PUMPS

DYB-EX50T/75T



The DYB-EX50T/75T is a complete pump transfer kit expressly engineered for ATEX/IECEx areas. This system is composed of a high-efficiency pump, manual or automatic nozzle and a telescopic suction hose. Thanks to the flanged components, this transfer set allows users to replace any component without using sealants thus creating maximum versatility and adaptability to any kind of condition. Mechanical meter available on request.

FEATURES

- STURDY STRUCTURE
- FLANGED COMPONENTS
- ANTI-NOISE FILTER
- THERMAL PROTECTION
- BUILT-IN BYPASS VALVE
- SUCTION PIPE WITH INTEGRATED FILTER
- UL VERSION AVAILABLE
- Pressure: 1.5Bar



DYB-EX50HT/75HT

PFEATURES

UP TO 50-75L/MIN	DC
FLOW RATE	VOLTAGE
250W	INLET/OUTLET 1"
POWER	CALIBER



DYB-EX50AT/75AT

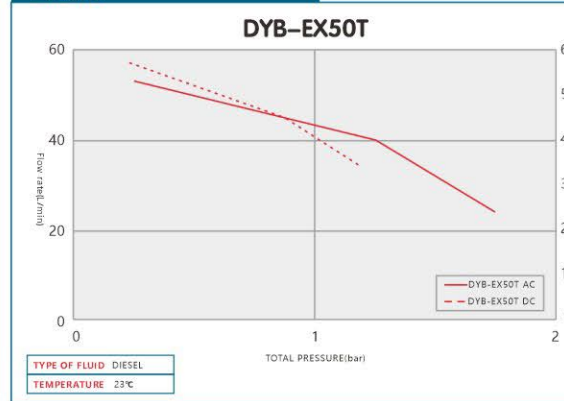
TECHNICAL DATA

MODEL	FLUIDS TYPE	FLOW-RATE L/MIN	VOLTAGE VOLT	POWER WATT	METER	INLET BSP	HOSE		Suction M
							LENGTH m	Ø BSP	
DYB-EX50HT-12V		50	12	250	-	1"	4	3/4"	3
DYB-EX50HT-24V		50	24	250	-	1"	4	3/4"	3
DYB-EX50AT-12V		50	12	250	YES	1"	4	3/4"	3
DYB-EX50AT-24V		50	24	250	YES	1"	4	3/4"	3

DYB-EX50T/75T



CHART



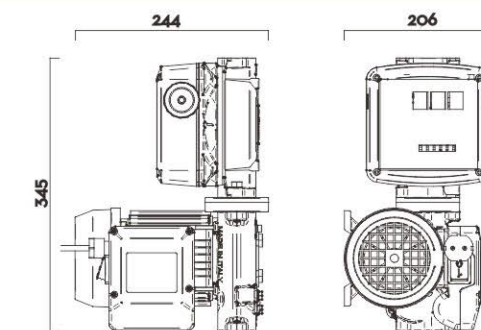
CHART



DETAILS



DIMENSIONS



MATERIALS

- BODY: CAST IRON
- ROTOR: SINTERED STEEL
- VANES: PPS
- SEAL: VITON
- SHAFT: STEEL

TECHNICAL DATA

MODEL	FLUIDS TYPE	FLOW-RATE L/MIN	VOLTAGE VOLT	POWER WATT	METER	INLET BSP	HOSE		Suction M
							LENGTH m	Ø BSP	
DYB-EX75HT-12V		75	12	250	-	1"	4	3/4"	3
DYB-EX75HT-24V		75	24	250	-	1"	4	3/4"	3
DYB-EX75AT-12V		75	12	250	YES	1"	4	3/4"	3
DYB-EX75AT-24V		75	24	250	YES	1"	4	3/4"	3



DYB-EX130



The DYB-EX130 is a complete pump transfer kit expressly engineered for ATEX/IECEx areas. This system is composed of a high-efficiency pump, manual or automatic nozzle and a telescopic suction hose. Thanks to the flanged components, this transfer set allows users to replace any component without using sealants thus creating maximum versatility and adaptability to any kind of condition. Mechanical meter available on request.

FEATURES

- HIGH FLOW RATE
- HEAVY DUTY
- CONTINUOUS DUTY
- THERMAL PROTECTION
- UL VERSION AVAILABLE
- REMOVABLE PUMP FEET



DYB-EX130

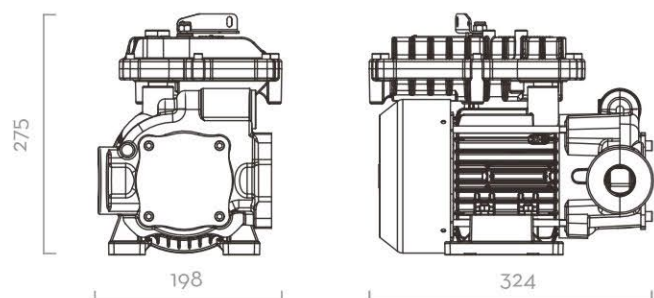
FEATURES

UP TO 130L/MIN		AC/1.1KW	
FLOW RATE		VOLTAGE/POWER	
INLET 1"1/4	OUTLET 1"	2Bar	
CALIBER		Pressure	

DETAILS



DIMENSIONS



TECHNICAL DATA

MODEL	FLUIDS TYPE	FLOW-RATE L/MIN	VOLTAGE VOLT/HZ	POWER WATT	AMP. MAX. A	RPM	INLET BSP	OUTLET BSP	Suction M
DYB-EX130	G D K	130	220/50	1150	5	1450	1"1/4	1"	3

ELECTRIC FUEL TRANSFER PUMPS



SPECIFICATION

Electric self-priming compact portable rotary vane pump. Built-in bypass valve design for safe and dependable fuel delivery. Available to equip with fuel transfer accessories: Flow meter, Nozzle and stationary installations.

MATERIALS

- BODY: CAST IRON
- ROTOR: SINTERED STEEL
- VANES: ACETAL RESIN
- SEAL: NBR
- SHAFT: STEEL
- DUTY CYCLE: 30MIN

FEATURES

DANGER

ONLY FOR USE WITH DIESEL FUEL
DO NOT USE FOR/WITH

- GASOLINE (PETROL)
- SOLVENTS WITH FLASH POINT <55°C

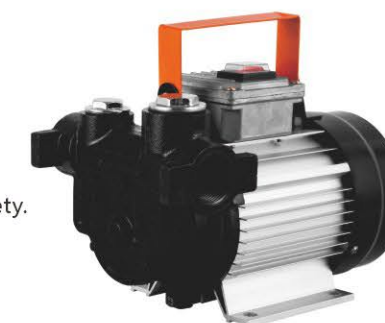
Electric self-priming rotary vane pump for diesel fuel transferring. Displacement, powerful, economical, available in 12V and 24V. By-pass valve equipped, compact size, ease installation, reliable and safety. Apply on construction machinery and vehicles.



DYB-70D



DYB-70DS



DYB-70

TECHNICAL DATA

MODEL	FLUIDS TYPE	FLOW-RATE L/MIN	VOLTAGE VOLT	POWER WATT	SPEED RPM	THREADED PORTS BSP	PRESSURE BAR	Suction M
DYB-70D-12V	D K	60	12	550	3200	1"	1.5	3
DYB-70D-24V	D K	60	24	550	3200	1"	1.5	3
DYB-70DS-12V	D K	60	12	550	3200	1"	1.5	3
DYB-70DS-24V	D K	60	24	550	3200	1"	1.5	3
DYB-70	D K	60	220/110	550	2800/3250	1"	1.5	3



AC DIESEL FUEL TRANSFER PUMPS

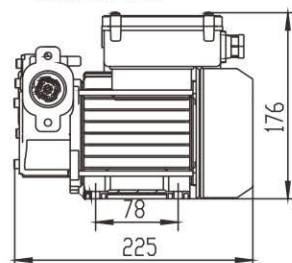


AC DIESEL PUMP

These self-priming rotary vane pumps feature a mechanical seal that guarantees constant reliability, even in low temperatures. Compact, safe and dependable, they can be used for equipping fuel pumps and stationary fuel-transfer installations.

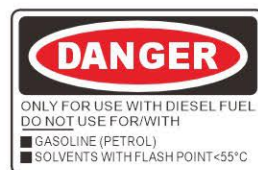
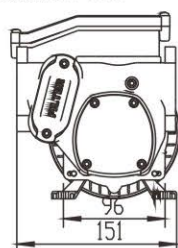
DYB-56

- 56L/MIN
- 2800RPM
- 1" BSP
- 370W
- Pressure: 2Bar
- Suction 3M



DYB-72

- 72L/MIN
- 2800RPM
- 1" BSP
- 550W
- Pressure: 2Bar
- Suction 3M



FEATURES

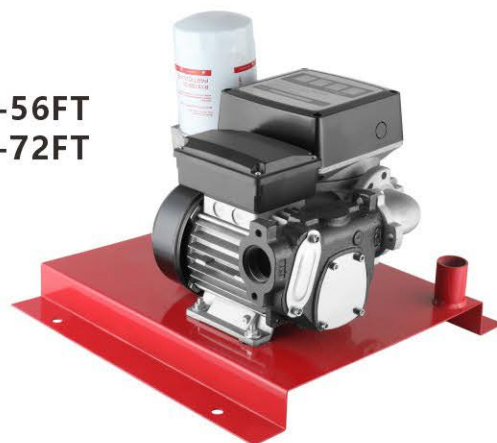
- Cast-iron pump casing, treated against corrosion and paint-finished.
- Vane pump with sintered steel rotor and acetate resin blades.
- Mechanical seal.
- Bypass valve built into pump casing.
- In-built 100-micron filter, easily accessible for cleaning.
- Induction motor with aluminium casing.
- Grade of protection: IP 55.
- Continuous running.

DYB-56HT DYB-72HT

- DIESEL PUMP KIT
- WITH METAL GUN
- 4M RUBBER HOSE
- Suction 3M



DYB-56FT DYB-72FT



FUEL TRANSFER PUMP KIT

Fuel transfer pumps KIT including: Flow meter, nozzle, hoses and accessories.



SPECIFICATION

Electric compact portable rotary vane pump KIT. Built-in bypass valve design for safe and dependable fuel delivery. Available to equip with fuel transfer accessories: Flow meter, Nozzle and stationary installations.

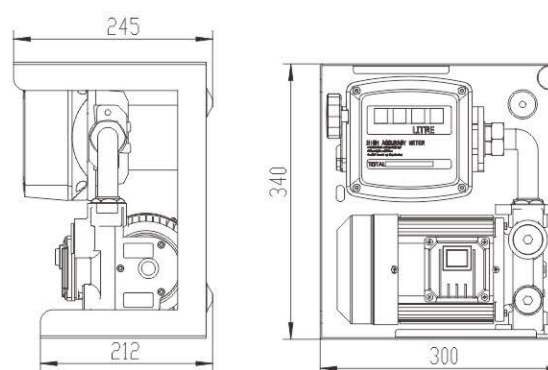
MATERIALS

- BODY: CAST IRON
- ROTOR: SINTERED STEEL
- VANES: ACETAL RESIN
- SEAL: NBR
- SHAFT: STEEL
- DUTY CYCLE: 30MIN

FEATURES



DIMENSIONS



DYB-56AT DYB-72AT



TECHNICAL DATA

MODEL	FLUIDS TYPE	FLOW-RATE L/MIN	VOLTAGE VOLT	POWER WATT	SPEED RPM	THREADED PORTS BSP	ACCURACY	PRESSURE BAR	Suction M
DYB-56AT	D K	56	220/110	370	2800/3250	1"	±1%	2	3
DYB-56BT	D K	56	220/110	370	2800/3250	1"	±0.5%	2	3
DYB-56CT	D K	56	220/110	370	2800/3250	1"	±0.5%	2	3
DYB-72AT	D K	72	220/110	550	2800/3250	1"	±1%	2	3
DYB-72BT	D K	72	220/110	550	2800/3250	1"	±0.5%	2	3
DYB-72CT	D K	72	220/110	550	2800/3250	1"	±0.5%	2	3



FUEL TRANSFER PUMP KIT

Fuel transfer pumps KIT including: Flow meter, nozzle, hoses and accessories.



SPECIFICATION

Electric compact portable rotary vane pump KIT.
Built-in bypass valve design for safe and dependable fuel delivery.
Available to equip with fuel transfer accessories:
Flow meter, Nozzle and stationary installations.

MATERIALS

- BODY: CAST IRON
- ROTOR: SINTERED STEEL
- VANES: ACETAL RESIN
- SEAL: NBR
- SHAFT: STEEL

- DUTY CYCLE: 30MIN

FEATURES

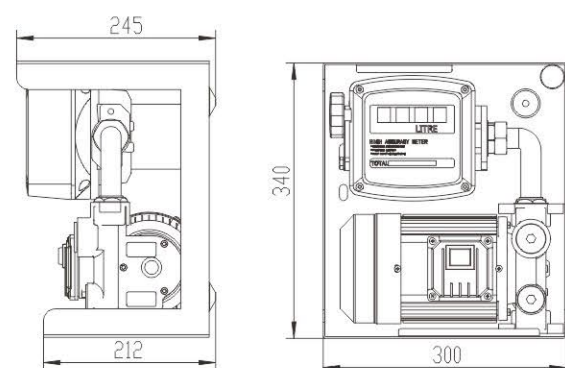
AC

VOLTAGE

INLET/OUTLET
1"

CALIBER

DIMENSIONS



DYB-60AT



DYB-60BT

DYB-60CT



TECHNICAL DATA

MODEL	FLUIDS TYPE	FLOW-RATE L/MIN	VOLTAGE VOLT	POWER WATT	SPEED RPM	THREADED PORTS BSP	ACCURACY	PRESSURE BAR	Suction M
DYB-60AT	DK	60	220/110	370	2800/3250	1"	± 1%	1	3
DYB-60BT	DK	60	220/110	370	2800/3250	1"	± 0.5%	1	3
DYB-60CT	DK	60	220/110	370	2800/3250	1"	± 0.5%	1	3

FUEL TRANSFER PUMP KIT

Fuel transfer pumps KIT including: Flow meter, nozzle, hoses and accessories.



SPECIFICATION

Electric compact portable rotary vane pump KIT.
Built-in bypass valve design for safe and dependable fuel delivery.
Available to equip with fuel transfer accessories:
Flow meter, Nozzle and stationary installations.

MATERIALS

- BODY: CAST IRON
- ROTOR: SINTERED STEEL
- VANES: ACETAL RESIN
- SEAL: NBR
- SHAFT: STEEL

- DUTY CYCLE: 30MIN

FEATURES

AC

VOLTAGE

INLET/OUTLET
1"

CALIBER

DIMENSIONS



DYB-70AP



DYB-70AT



DYB-70BT



DYB-70CT



TECHNICAL DATA

MODEL	FLUIDS TYPE	FLOW-RATE L/MIN	VOLTAGE VOLT	POWER WATT	SPEED RPM	THREADED PORTS BSP	ACCURACY	PRESSURE BAR	Suction M	PRESSURE SWITCH
DYB-70AT	DK	60	220/110	550	2800/3250	1"	± 1%	1.5	3	X
DYB-70BT	DK	60	220/110	550	2800/3250	1"	± 0.5%	1.5	3	X
DYB-70CT	DK	60	220/110	550	2800/3250	1"	± 0.5%	1.5	3	X
DYB-70AP	DK	60	220/110	550	2800/3250	1"	± 0.5%	1.5	3	✓



FUEL PUMPS



DISPENSERS HOSE REEL



METERS



NOZZLES



ACCESSORIES



DIAPHRAGM PUMPS



WATER PUMPS



LITHIUM BATTERY PUMPS

FUEL TRANSFER PUMP KIT

Fuel transfer pumps KIT including: Flow meter, nozzle, hoses and accessories.



SPECIFICATION

Electric compact portable rotary vane pump KIT.
Built-in bypass valve design for safe and dependable fuel delivery.
Available to equip with fuel transfer accessories:
Flow meter, Nozzle and stationary installations.

MATERIALS

- BODY: CAST IRON
- ROTOR: SINTERED STEEL
- VANES: ACETAL RESIN
- SEAL: NBR
- SHAFT: STEEL

- DUTY CYCLE: 30MIN



DYB-70DAT

FEATURES

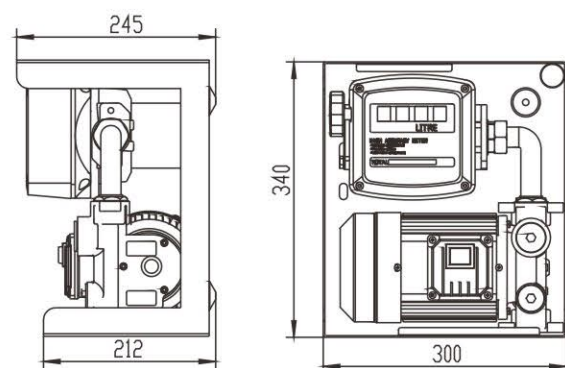
DC

VOLTAGE

INLET/OUTLET
1"

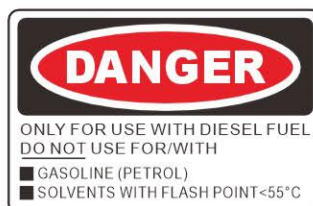
CALIBER

DIMENSIONS



DYB-70DBT

DYB-70DCT



DYB-80D



DYB-80D is a diesel transfer pump. It is easy to install and is suitable for being applied on diesel dispensers and fixed fuel transfer systems, as well as other applications.

FEATURES

- STURDY STRUCTURE
- COMPACT DESIGN
- HEAVY DUTY
- HIGH RELIABILITY
- Vane pump with rotor
- With by-pass valve



PERFORMANCE

80 L/MIN

FLOW RATE

DC

VOLTAGE

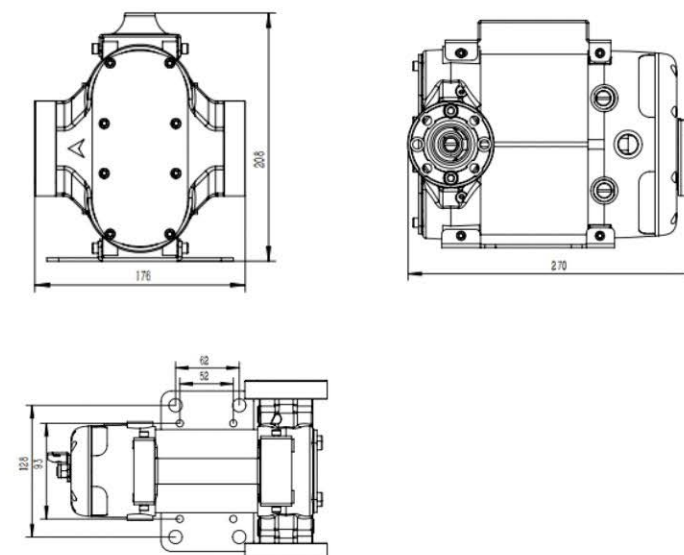
500W

POWER

INLET/OUTLET
1"

CALIBER

DIMENSIONS



TECHNICAL DATA

MODEL	FLUIDS TYPE	FLOW-RATE L/MIN	VOLTAGE VOLT	POWER WATT	SPEED RPM	THREADED PORTS BSP	ACCURACY	PRESSURE BAR	Suction M
DYB-70DAT-12	DK	60	12	550	3200	1"	± 1%	1.5	3
DYB-70DAT-24	DK	60	24	550	3200	1"	± 1%	1.5	3
DYB-70DBT-12	DK	60	12	550	3200	1"	± 0.5%	1.5	3
DYB-70DBT-24	DK	60	24	550	3200	1"	± 0.5%	1.5	3
DYB-70DCT-12	DK	60	12	550	3200	1"	± 0.5%	1.5	3
DYB-70DCT-24	DK	60	24	550	3200	1"	± 0.5%	1.5	3

TECHNICAL DATA

MODEL	FLUIDS TYPE	FLOW-RATE L/MIN	VOLTAGE VOLT	POWER WATT	SPEED RPM	THREADED PORTS BSP	PRESSURE BAR	Suction M
DYB-80D-12V	DK	80	12V(44A)	500	2000	1"	1.5	3
DYB-80D-24V	DK	80	24V(21A)	500	2000	1"	1.5	3



FUEL PUMPS



DISPENSERS HOSE REEL



METERS



NOZZLES



ACCESSORIES



DIAPHRAGM PUMPS



WATER PUMPS



LITHIUM BATTERY PUMPS

FUEL TRANSFER PUMP KIT

Fuel transfer pumps KIT including: Flow meter, nozzle, hoses and accessories.

SPECIFICATION

Electric compact portable rotary vane pump KIT.
Built-in bypass valve design for safe and dependable fuel delivery.
Available to equip with fuel transfer accessories:
Flow meter, Nozzle and stationary installations.

MATERIALS

- BODY: CAST IRON
- ROTOR: SINTERED STEEL
- VANES: ACETAL RESIN
- SEAL: NBR
- SHAFT: STEEL
- DUTY CYCLE: 30MIN



CYB-600T



CYB-600S



CYB600



FEATURES

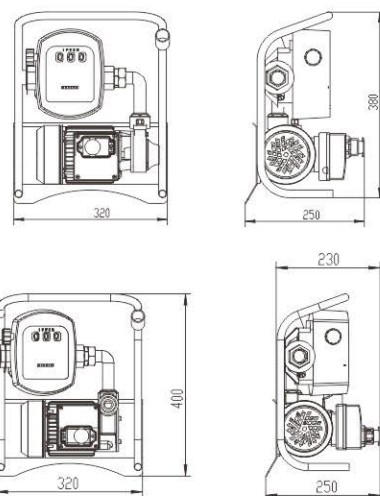
AC

VOLTAGE

600W

POWER

DIMENSIONS



TECHNICAL DATA

MODEL	FLUIDS TYPE	FLOW-RATE L/MIN	VOLTAGE VOLT	POWER WATT	DUTY-CYCLE MINUTES	THREADED PORTS BSP	ACCURACY	PRESSURE BAR	SELF PRIMING
CYB-600T	D K	40	220/110	600	30	1"	± 1%	2.5	NO
CYB-600S	D K	50	220/110	600	30	1"	± 1%	1.2	YES
CYB600	D K	40	220/110	600	30	1"	X	2.5	NO

AC DIESEL FUEL TRANSFER PUMP

SPECIFICATION

Displacement, self-priming, rotary electric vane pumps for transferring diesel fuel.
All models equipped with by-pass valve.
Powerful, dependable and economical, they are also available with single three-phase AC motors. Thanks to their compact size, ease of installation, dependability and safety, they are used to equip fuel pumps for private or fixed systems for transferring fuel and other industrial applications.

FEATURES

- Cast-iron pump casing, treated against corrosion and paint-finished.
- Vane pump with sintered steel rotor and acetalic resin blades.
- Mechanical seal.
- Bypass valve built into pump casing.
- In-built 100-micron filter, easily accessible for cleaning.
- Induction motor with aluminium casing.
- Grade of protection: IP 55.
- Continuous running.
- Pressure: 4Bar
- Suction 3M

DYB-75

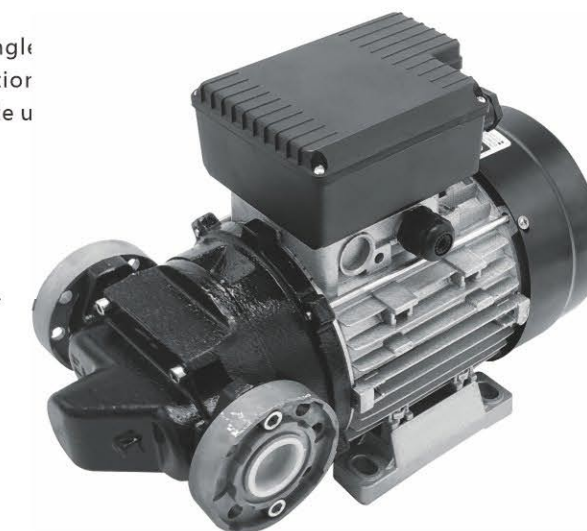
- 75L/MIN,
- 1400RPM
- 1" BSP
- 750W
- 13KGS
- 1/CTN 35.5X19X23.5CM
- 4Amps

DYB-100

- 100L/MIN,
- 1400RPM
- 1" BSP
- 1100W
- 16KGS
- 1/CTN 35.5X19X23.5CM
- 5.6Amps

DYB-600

- Flow rate up to 500 L/min
- Continuous 230 V operation.
- Power:1500W
- Head:19M
- 9.2A
- 2580RPM
- Suction 6M
- High flow rate self-priming electric pump with open impeller for diesel fuel transfer applications.
- The check valve incorporated in the suction port prevents the siphon effect and ensures automatic repriming.
- Max working pressure:1.8 bar
- Continuous duty with 230V ac power supply
- Cast iron impeller
- IP44 protection
- 2" In/Out connections





AC LUBRICANT PUMPS

SPECIFICATION

Filter and transfer unit

The filtering unit is composed of a volumetric vane pump that suctions the oil to be purified, sending it through a high-filtering capacity cartridge filter that removes the impurities.

The unit is equipped with helically wound transparent suction and discharge tubes for easy control of operations.

Filter clogging is revealed by a manometer installed on the filter head. Its support is wheeled for ease of movement and use. Easy to use and maintain, it is the ideal piece of equipment to decontaminate oil simply and cleanly.



DYB-25ET

- OIL PUMP
- 230V 50HZ
- Flow rate 25 l/min
- Micro 10 μ
- Movable
- 26KG

DYB-2E

- Supplied with pump & suction hoses
- Transfer up to 1.5 L/min
- Power:60W
- Working current: 5A(12V)
- Sound level: 70db
- Suction:0.8m



AC LUBRICANT PUMPS



Vane pumps designed as modern, effective solutions for the various requirements of pumping oils and lubricants.

Thanks to the available models VISCOMAT satisfies the need to:

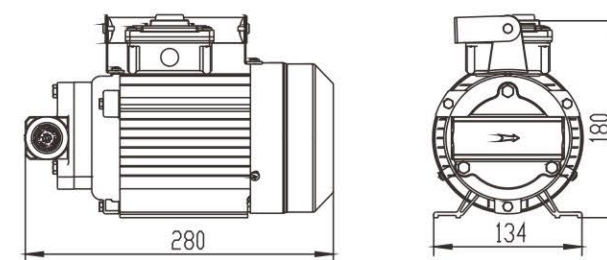
- transfer large quantities of product at medium pressure between tanks;
- guarantee good flow rates at high pressure in applications in which the pump must supply the reeling drums of fixed, "in-line" oil distribution systems on fixed pumping systems;

The main features are:

- quiet operation,
- regularity of flow characterized by the absence of pulsations,
- closed-delivery operation option thanks to the incorporated adjustable BYPASS,
- high suction capacity,



DYB-25E



500CST
VISCOSITY

DYB-15E

TECHNICAL DATA

MODEL	FLUIDS TYPE	FLOW-RATE L/MIN	VOLTAGE VOLT	POWER WATT	THREADED PORTS BSP	PRESSURE BAR	SPEED RPM	Suction M	PCS/CTN
DYB-15E	Ⓛ	15-30	220/110	750	3/4"	2	2800/3250	3	2
DYB-25E	Ⓛ	25-50	220/110	1100	1"	4	1400/1750	3	1

WCB series gear pump is a portable gear oil pump.

It possess the advantages of simple and contact structure, easy operation and simple maintenance.

Special design for transferring viscosity lubricating oil, even hot oil that max temperature is 70°C.

Usage: Diesel, kerosene and lubricating oil.



WCB-75

- Pressure: 3Bar

TECHNICAL DATA

MODEL	FLUIDS TYPE	FLOW-RATE L/MIN	VOLTAGE VOLT	POWER WATT	THREADED PORTS BSP	PHASE		SPEED(RPM)		VISCOSITY (CST)	Suction M
						1	3	2POLE	4POLE		
WCB-75	Ⓛ	75	220/110	750	1"	1	3	2800/3250	1750	1500	4



FUEL PUMPS



DISPENSERS HOSE REEL



METERS



NOZZLES



ACCESSORIES



DIAPHRAGM PUMPS



WATER PUMPS



LITHIUM BATTERY PUMPS

GEAR PUMP SUITABLE FOR MEDIUM-HIGH VISCOSITY OIL

- Adjustable Bypass
- 9-14 L/min
- 2000 CST
- Noise less than 70dB
- Sintered Steel Rotor feature gear
- Heavy-Duty reliable
- Compact Design



ELECTRIC BARREL PUMPS



DYB-60YT (AC)



DYB-60YT (DC)



DYB-40YT



TECHNICAL DATA

ITEM NO.	FLUID TYPE	VOLTAGE/HZ	POWER	AMPS	RPM	PRESSURE	SIZE
DYB-15EV-1		220V/50Hz	1100W	6A	1400rpm	16 Bar	1"
DYB-15EV-1		220V/60Hz	1100W	6A	1700rpm	16 Bar	1"
DYB-15EV-3		380V/50Hz	1100W	2.7A	1400rpm	25 Bar	1"
DYB-15EV-3		380V/60Hz	1100W	2.7A	1700rpm	25 Bar	1"

TECHNICAL DATA

Model	DYB-60YT (AC)		DYB-60YT (DC)		DYB-40YT
Voltage(V)	220	12	24		220
Power(W)	680	180	210		150
Flow(L/min)	90	45	55		40
Head (m)	14	4	5		4
Inlet Size(mm)	42	42	42		50
Outlet Size(mm)	25/32	25/32	25/32		25
Fluids Type					
PCS/CTN	8	8	8		2
Speed(rpm)	27000	13000	15000		/



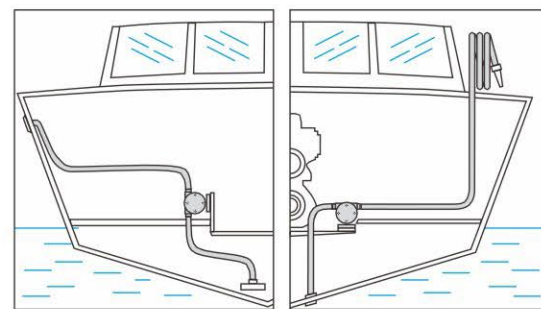
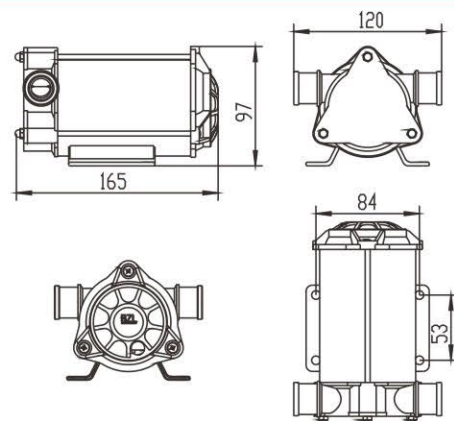
FLEXIBLE IMPELLER PUMP

Flexible impeller pump bilge pump. Bilge pumps with excellent suction and pressure ability. Solid particles and debris can be handle without damaging the pump. Should be installed in a dry, well ventilated position above, but as close to the liquid as possible. As the pumps must not be run dry, it is recommended to combine it with automatic switch that cuts off the current to the pump when the bilge is dry.

Self priming flexible impeller electric pump or different liquid transfer. Suitable for fresh and salt water can also transfer dirty liquids without damaging. Suitable for continuous service with thermal motor overload protection. Pump must not be run dry.



DIMENSIONS



DETAILS

Stainless steel chamber



Flexible impeller



TECHNICAL DATA

Model	Voltage (V) (A)		Power (W)	Max Flow (L/min)	Head (m)	Fluids type	Inlet&Outlet (inch)	Pressure (Bar)	SPEED (RPM)	Suction (M)
DYB-30-12V	12	13	200	35	10	DKW	1/2"	1	3200	2
DYB-30-24V	24	16	200	35	10	DKW	1/2"	1	3200	2
DYB-30-220V	220	1.5	200	35	10	DKW	1/2"	1	3200	2

DYB-20

DYB-20 works great for draining water heaters, water beds, washing machines, or for filling radiant heating systems.



PERFORMANCE

20L/MIN

FLOW RATE

DC/AC

VOLTAGE

75W

POWER

INLET/OUTLET
3/4"

CALIBER

FEATURES

- Stainless Steel Carry Handle
Take the utility pump anywhere you want to go.
- Power Coated Carbon Steel Housing
Great for continuous duty use in draining.
- Premium Hardware Pump Head
For against corrosion and abrasion.
- Non-Slip Base
It is more stable and safety in use.

TECHNICAL DATA

MODEL	FLUIDS TYPE	FLOW-RATE L/MIN	VOLTAGE V	POWER W	INLET inch	Head M
DYB-20	DKW	20	12	75	3/4"	12
DYB-20	DKW	20	24	75	3/4"	12
DYB-20	DKW	20	110/220	75	3/4"	12



DISPENSERS
HOSE REEL



METERS



NOZZLES



ACCESSORIES



DIAPHRAGM
PUMPS



WATER
PUMPS



LITHIUM BATTERY
PUMPS

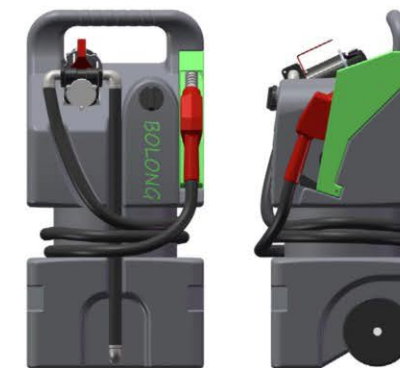
FUEL TANK



Diesel Fuel Tank

High-performance Rotational Moulding Diesel Fuel Oil Storage and Delivery KIT

- Pump 50 L/min flow rate with 30min duty cycle
- Hose and nozzle protect from padlock cover
- NBR delivery hose with crimped fittings
- Automatic Nozzle
- Fuel level indicator
- Impact Resistant Design
- Optional built-in battery power



DT-60



DT-120

TECHNICAL DATA

ITEM NO.	CAPACITY	VOLTAGE	POWER	HOSE LENGTH	PRESSURE	PACKAGE
DT-60-12V	60L	12V	300W	3M	1.3Bar	90x45X40CM
DT-60-24V	60L	24V	300W	3M	1.3Bar	90x45X40CM
DT-120-12V	115L	12V	300W	3.35M	1.3Bar	113X46X43CM
DT-120-24V	115L	24V	300W	3.35M	1.3Bar	113X46X43CM



DISPENSERS
HOSE REEL



DISPENSERS
HOSE REEL



METERS



NOZZLES



ACCESSORIES



DIAPHRAGM
PUMPS



WATER
PUMPS



LITHIUM BATTERY
PUMPS

DIESEL FUEL TANK

High-performance Rotational Moulding Diesel Fuel Oil Storage and Delivery KIT

- Pump 50 L/min flow rate with 30min duty cycle
- Hose and nozzle protect from padlock cover
- NBR delivery hose with crimped fittings
- Automatic Nozzle
- Fuel level indicator
- Impact Resistant Design
- Optional built-in battery power



DT-200



DT-430

DIESEL FUEL TANK

High-performance Rotational Moulding Diesel Fuel Oil Storage and Delivery KIT

- Pump 50 L/min flow rate with 30min duty cycle
- Hose and nozzle protect from padlock cover
- NBR delivery hose with crimped fittings
- Automatic Nozzle
- Fuel level indicator
- Impact Resistant Design
- Optional built-in battery power



DT-300

TECHNICAL DATA

MODEL	CAPACITY	VOLTAGE	POWER	HOSE LENGTH	PRESSURE	WEIGHT	PACKAGE
DT-200	200L	12V/24V	300W	3.6M	1.3Bar	30/32KG	82×62×63CM
DT-430	430L	12V/24V	300W	4M	1.3Bar	51/55KG	102×82×92CM

TECHNICAL DATA

MODEL	CAPACITY	VOLTAGE	POWER	HOSE LENGTH	PRESSURE	WEIGHT	PACKAGE
DT-300	240L	12V	300W	4M	1.3Bar	39/43KG	119X76X52CM
DT-300	240L	24V	300W	4M	1.3Bar	39/43KG	119X76X52CM



DISPENSERS
HOSE REEL



DISPENSERS
HOSE REEL



METERS



NOZZLES



ACCESSORIES



DIAPHRAGM
PUMPS



WATER
PUMPS



LITHIUM BATTERY
PUMPS

DIESEL FUEL TANK

- Hose and nozzle protect from padlock cover
- NBR delivery hose with crimped fittings
- Automatic Nozzle
- Fuel level indicator
- Impact Resistant Design
- Optional built-in battery power



DT-100A



DT-100D

ON-VEHICLE ELECTRIC SPRAYER

On-vehicle electric sprayer is designed for pest control, herbicides, growth regulators and liquid fertilizer spraying on farmland, nursery, garden, lawn, shrubs and grasses fences. Mounted on a small tractor, an ATV, an UTV or an agricultural flatbed car, and powered by the on-vehicle 12V power supply, the sprayer may be equipped with a gun or a lance to spray.



TECHNICAL DATA

MODEL	CAPACITY	VOLTAGE	POWER	FLOW RATE	HOSE LENGTH	PRESSURE	WEIGHT	PACKAGE
DT-100A	100L	12V/24V	150W	20L/min	3.6M	3Bar	14/15.2KG	89×43×58CM
DT-100D	100L	12V/24V	300W	50L/min	4M	1.3Bar	15/16KG	89×43×58CM

TECHNICAL DATA

MODEL	CAPACITY	VOLTAGE	POWER	FLOW RATE	HOSE LENGTH	PRESSURE
ST-50	50L	12V/24V/18V	60W	2.8L/min	4M	5.5Bar
ST-100	100L	12V/24V/18V	60W	2.8L/min	4M	5.5Bar

FUEL DISPENSER

The fuel dispensers are divided into mechanical and electronic, for fueling diesel and kerosene. Separate and combined pump is both offer able with features like convenient maintenance. High-precision flow rate, excellent electromagnetic. Compatibility and anti-jamming. Apart from this, the dispenser can suit the usage of IC card.



BZL-D01



BZL-D02



BZL-D03



TECHNICAL DATA

Model	BZL-D01	BZL-D02	BZL-D03
Flow	60L/min	60L/min	60L/min
Voltage	DC 12V/24V or AC 220V	DC 12V/24V or AC 220V	DC 12V/24V or AC 220V
Power	550W	550W	550W
Flow meter	Mechanical	Oval Gear	Piston
Accuracy	± 1%	± 0.5%	± 0.3%
Height	0.3m	0.4m	0.6m

HOSE REEL

Automatic hose reels for diesel and oil have designed to ensure high efficiency . The sturdy structure can guarantee best performance also in heavy duty conditions.

- Designed to transfer diesel, petrol kerosene
- Heavy duty construction for long life in industrial and automotive applications
- High quality impact resistant steel drum
- Maximum working pressure 20bar
- BSP3/4" or 1" BSP inlet/outlet



TECHNICAL DATA

Model	Description	Fluids	Pressure	Size BSP	Hose Length	Nozzle	OGM-C
BLHR-3410E	Empty Hose Reel	Diesel, Gasoline, Petrol	20bar	3/4"	X	X	X
BLHR-3415E	Empty Hose Reel	Diesel, Gasoline, Petrol	20bar	3/4"	X	X	X
BLHR-1110E	Empty Hose Reel	Diesel, Gasoline, Petrol	20bar	1"	X	X	X
BLHR-1115E	Empty Hose Reel	Diesel, Gasoline, Petrol	20bar	1"	X	X	X
BLHR-3410K	Hose Reel	Diesel, Gasoline, Petrol	20bar	3/4"	10m	O	X
BLHR-3415K	Hose Reel	Diesel, Gasoline, Petrol	20bar	3/4"	15m	O	X
BLHR-1110K	Hose Reel	Diesel, Gasoline, Petrol	20bar	1"	10m	O	X
BLHR-1115K	Hose Reel	Diesel, Gasoline, Petrol	20bar	1"	15m	O	X
BLHR-3410Q	Hose Reel	Diesel, Gasoline, Petrol	20bar	3/4"	10m	O	O
BLHR-3415Q	Hose Reel	Diesel, Gasoline, Petrol	20bar	3/4"	15m	O	O
BLHR-1110Q	Hose Reel	Diesel, Gasoline, Petrol	20bar	1"	10m	O	O
BLHR-1115Q	Hose Reel	Diesel, Gasoline, Petrol	20bar	1"	15m	O	O

METERS

OVAL GEAR METER

Oval gear meter are for measuring different viscosity. Such as fuel, lubrication oil, with advantage of high precision and low pressure loss, convenient carrying and easy installation. The display can show 5-digit sub-total of the refueling, with floating point from 0.001 to 999.99, 8-digit non-resettable total.



BL-B01



BL-B02

TECHNICAL DATA						
Model	Inlet&outlet BSPT	Accuracy	Repeatability	Flow (L/min)	Max.Pressure	Battery Power (V)
BL-B01	1/2"	± 0.5%	0.2%	8-30L/Min	7mpa	1x1.5V
BL-B02	1/2"	± 0.5%	0.2%	8-30L/Min	7mpa	1x1.5V



TURBINE FLOW METER

High accuracy, durable, small volume turbine flow meter.
Its module design can be used with output module, sensor and long-distance transfers.
The features of the display: 2 cumulant (1 resetting, 1 accumulating); optional unit conversion of Gallon and Liter.
It is easy to change the parts inside and maintain, easy to install with its compact design.
Lithium battery can supply 9000 hours power.



BL-B03



BL-B04



BL-B05



BL-B06

TECHNICAL DATA						
Model	Name	Inlet&outlet BSPT	Flow (L/min)	Accuracy	Repeatability	Material
BL-B03	Turbine Flow Meter	1"	10-120	±1%	±0.3%	Aluminum
BL-B04	Turbine Flow Meter	1.5"	20-200	±1%	±0.3%	
BL-B05	Turbine Flow Meter	2"	40-280	±1%	±0.3%	Stainless Steel
BL-B06	Turbine Flow Meter	1"	10-100	±1%	±0.2%	

MECHANICAL FLOW METER

Nutating disk mechanical flow meter are designed with high accuracy, convenient handling, good visibility, dual-measurement and with artistic appearance and steady function. The nozzles are applicable for insertion pipe as well as swivel pipe inlet, for filling diesel, gasoline and engine oil. Metering displays are divided into electronic and mechanical types.
Sector of application : fuel transfer, garage equipment.



BL-B07



BL-B07-Y

TECHNICAL DATA	
Model	BL-B07
Name	FM-120 Flow Meter
Flow Rate(l/min)	20-120
Inlet/Outlet(inch)	BSPT / NPT 1"
Max.Pressure(bar)	3
Accuracy	±1%

YYQ-150 Flow Meter, designed for measuring diesel fuel, gasoline, kerosene, mineral spirits, solvent and heptane. It has the advantage of clear large numbers, quick reset button, flexible installation either horizontally or vertically. 4 digit resettable can up to 999.9 liters/gallons, and the totalizer of 8 digits can up to 99,999.99 liters/gallons.



BL-B08

TECHNICAL DATA			
Model	BL-B08-25	BL-B08-40	BL-B08-50
Name	YYQ-150 Flow Meter		
Flow Rate(l/min)	20-120L	20-180L	20-200L
Inlet/Outlet(inch)	BSPT 1"	1.5"	2"
Max.Pressure(bar)	3		
Accuracy	±1%		



BL-B09



BL-B10

TECHNICAL DATA		
Model	BL-B09	BL-B10
Flow Rate(l/min)	0-60	0-60
Inlet/Outlet(inch)	BSPT / NPT 1"	BSPT / NPT 1"
Material	Aluminum Alloy	Plastic
Digit	6 Digit Totalizers	6 Digit Totalizers
Max.Pressure(bar)	3	3
Accuracy	±1%	±1%



ALUMINUM OVAL GEAR FLOW METER WITH SENSOR:



TECHNICAL DATA			
Model	OGM-E-25	OGM-E-40	OGM-E-50
Size	1"	1.5"	2"
Min Flow Rate	20L/min	25L/min	30L/min
Max Flow Rate	120L/min	250L/min	300L/min
Accuracy	±0.5%	±0.5%	±0.5%
Repeatability	≤0.3%	≤0.03%	≤0.03%
Max. Viscosity	1000CPS	1000CPS	1000CPS
Max. Operating Pressure	1.8MPa	1.8MPa	1.8MPa



TECHNICAL DATA			
Model	OGM-B-25	OGM-B-40	OGM-B-50
Size	1"	1.5"	2"
Min Flow Rate	20L/min	25L/min	30L/min
Max Flow Rate	120L/min	250L/min	300L/min
Accuracy	±0.2%	±0.5%	±0.5%
Repeatability	≤0.3%	≤0.3%	≤0.3%
Max. Viscosity	1000CPS	1000CPS	1000CPS
Max. Operating Pressure	1.8MPa	1.8MPa	1.8MPa



TECHNICAL DATA	
Model	OGM-DF-25
Size	1"
Min Flow Rate	20L/min
Max Flow Rate	120L/min
Accuracy	±0.5%
Repeatability	≤0.3%
Max. Viscosity	1000CPS
Max. Operating Pressure	1.8MPa



TECHNICAL DATA			
Model	OGM-25P	OGM-40P	OGM-50P
Size	1"	1.5"	2"
Min Flow Rate	20L/min	25L/min	30L/min
Max Flow Rate	120L/min	250L/min	300L/min
Accuracy	±0.5%	±0.5%	±0.5%
Repeatability	≤0.3%	≤0.03%	≤0.03%
Max. Viscosity	1000CPS	1000CPS	1000CPS
Max. Operating Pressure	3.4MPa	1.8MPa	1.8MPa

OVAL GEAR FLOW METER



Advantage:

- Compact size, easy maintenance
- Easy to read and operate mechanical display
- Horizontally and vertically flexibility of installation options

TECHNICAL DATA				
Model	OGM-LC-40	OGM-LC-50	OGM-LC-80	OGM-LC-100
Size	1.5"	2"	3"	4"
Min Flow Rate	20L/min	60L/min	140L/min	160L/min
Max Flow Rate	120L/min	300L/min	700L/min	1600L/min
Accuracy	±0.2% or ±0.5%	±0.2% or ±0.5%	±0.2% or ±0.5%	±0.2% or ±0.5%
Repeatability	≤0.3%	≤0.03%	≤0.03%	≤0.3%
Max. Operating Pressure	1.8MPa	1.8MPa	1.8MPa	1.8MPa



TECHNICAL DATA			
Model	OGM-LA-25	OGM-LA-40	OGM-LA-50
Size	1"	1.5"	2"
Min Flow Rate	20L/min	25L/min	30L/min
Max Flow Rate	120L/min	250L/min	300L/min
Accuracy	±0.5%	±0.5%	±0.5%
Repeatability	≤0.3%	≤0.03%	≤0.03%
Max. Viscosity	1000CPS	1000CPS	1000CPS
Max. Operating Pressure	1.8MPa	1.8MPa	1.8MPa



TECHNICAL DATA		
Model	OGM-R-25	OGM-R-40
Size	1"	1.5"
Min Flow Rate	20L/min	40L/min
Max Flow Rate	120L/min	400L/min
Accuracy	±0.5%	±0.5%
RepeatabilityMax	≤0.17%	≤0.17%
Max. Pressure	16Bar	6Bar
Packing	1PC/CTN 19.5/20.5KGS 36X33X30CM	



QUANTITATIVE OVAL GEAR FLOW METER



Quantitative

TECHNICAL DATA	
Model	OGM-C
Size	1"
Min Flow Rate	20L/min
Max Flow Rate	120L/min
Accuracy	±0.5%
Repeatability Max	≤0.3%
Max.Pressure	1.8MPa



Model Diameter
BLB-M-40mm / 1.5"
BLB-M-50mm / 2"
BLB-M-80mm / 3"
BLB-M-100mm / 4"

Advantages:
EXCELLENT STEPLESS ADJUSTING MECHINE
•High accuracy and repeatability over the widest range of flow Superior accuracy at constant flow
•Low maintenance, no metaltometal contact in measuring chamber, Long life service

ROOT TYPE FLOW METER



TECHNICAL DATA			
Model	OGM-LB-25	OGM-LB-40	OGM-LB-50
Size	1"	1.5"	2"
Min Flow Rate	5L/min	5L/min	5L/min
Max Flow Rate	120L/min	250L/min	300L/min
Accuracy	±0.5%	±0.5%	±0.5%
Repeatability	±0.2%	±0.2%	±0.2%
Max. Viscosity	1000CPS	1000CPS	1000CPS
Max. Operating Pressure	1.8MPa	1.8MPa	1.8MPa

M Series Positive Displacement Flow Meter
Excellent stepless adjusting mechanism allows a micro adjustment of the meter
High accuracy and repeatability over the widest range of flow; Superior accuracy at constant flow
Low maintenance, no metal-to-metal contact in measuring chamber, long life service
Low pressure loss, a true gravity flow meter
Accuracy regardless of pressure fluctuations, temperature variation, viscosity
Choice of aluminum, cast iron and stainless steel materials of construction.



TECHNICAL DATA	
Model	OGM-LF-25
Size	1"
Min Flow Rate	5L/min
Max Flow Rate	120L/min
Accuracy	±0.5%
Repeatability	≤0.2%
Max. Viscosity	1000CPS
Max. Operating Pressure	1.8MPa

TECHNICAL DATA				
Model	BLB-M-40	BLB-M-50	BLB-M-80	BLB-M-100
Size	40mm/1.5"	50mm/2"	80mm/3"	100mm/4"
Flow Range	25-250L/min	50-500L/min	100-1000L/min	130-1300 L/min
Max.Pressure	10Bar/150PSI			
Accuracy	±0.2%			
Repeatability	≤0,05%			
Standard Measurement	Unit Liter/US Gallon			
Meter Body	Aluminum,Cast Iron, Steel, Stainless Steel available			
Seal & Gasket	Buna"N"; Viton; Teflon available			
Stranier Mesh	80 for Diesel,40 for Gasoline			
End Connections	ANSI Flanged, NPT, BSPT, Slip Weld available			
Viscosity	30SSU-1,500,000SSU			



Application:

- Refined petroleum products;
- Aviation gasolines and jet fuels;
- A wide variety of products such as: liquid sugars, corn syrup, corn sweeteners.
- Treated waters (deionized, demineralized, and potable);
- Chlorinated solvents and general solvent metering;
- Acid pH liquids;
- Liquefied petroleum gas(LPG);
- Crude oil, also for heated and/or viscous liquids;
- Oil or water based latex products, polyester resins, and adhesives (neutral pH).



Model Diameter

- BLB-M-40-KX-1 40mm / 1.5 "
- BLB-M-50-KX-1 50mm / 2 "
- BLB-M-80-KX-1 80mm / 3 "
- BLB-M-100-KX-1 100mm / 4 "



Model Diameter

- BLB-M-40-G-1 40mm / 1.5 "
- BLB-M-50-G-1 50mm / 2 "
- BLB-M-80-G-1 80mm / 3 "
- BLB-M-100-G-1 100mm / 4 "



Model Diameter

- BLB-M-40-KPX-1 40mm / 1.5 "
- BLB-M-50-KPX-1 50mm / 2 "
- BLB-M-80-KPX-1 80mm / 3 "
- BLB-M-100-KPX-1 100mm / 4 "



Model Diameter

- BLB-MSS-40 40mm / 1.5 "
- BLB-MSS-50 50mm / 2 "
- BLB-MSS-80 80mm / 3 "
- BLB-MSS-100 100mm / 4 "

Positive Displacement Flow Meter

Excellent stepless adjusting mechanism allows a micro adjustment of the meter High accuracy and repeatability over the widest range of flow; Superior accuracy at constant flow Low maintenance, no metal-to-metal contact in measuring chamber, long life service Low pressure loss, a true gravity flow meter Accuracy regardless of pressure fluctuations, temperature variation, viscosity Choice of aluminum, cast iron and stainless steel materials of construction.

Advantages:

EXCELLENT STEPLESS ADJUSTING MACHINE

- High accuracy and repeatability over the widest range of flow Superior accuracy at constant flow
- Low maintenance, no metal to metal contact in measuring chamber, Long life service



Model Diameter

- BLB-TCS-40 40mm / 1.5 "
- BLB-TCS-50 50mm / 2 "
- BLB-TCS-80 80mm / 3 "
- BLB-TCS-100 100mm / 4 "

TECHNICAL DATA				
Model	BLB-TCS-40	BLB-TCS-50	BLB-TCS-80	BLB-TCS-100
Size	40mm/1.5"	50mm/2"	80mm/3"	100mm/4"
Flow Range	25-250L/min	50-500L/min	100-1000L/min	130-1300 L/min
Max. Pressure	10Bar/150PSI			
Accuracy	± 0.2%			
Repeatability	≤ 0.05%			
Standard Measurement	Unit Liter/US Gallon			
Meter Body	Aluminum, Cast Iron, Steel, Stainless Steel available			
Seal & Gasket	Buna"N"; Viton; Teflon available			
Strainer Mesh	80 for Diesel, 40 for Gasoline			
End Connections	ANSI Flanged, NPT, BSPT, Slip Weld available			
Viscosity	30SSU-1,500,000SSU			



NOZZLES

FMC SERIES PD ROTARY VANE FLOW METER



FMC-50



FMC-80



FMC-100

Advantage:
FMC series PD rotary vane meters are single case, angle-type, rotary vane, positive displacement meters. Superior accuracy and a wide range of products from gasoline to kerosene to fuel oils can be metered. Compact, versatile design can be readily fit into nearly all installations. Low pressure drop meter results in low meter slippage and thus superior meter accuracy. Long service life, low friction ball bearings, fixed cam-type timing, and rugged construction give sustained accuracy and long time operation.

TECHNICAL DATA			
Model	BLB-FMC-50	BLB-FMC-80	BLB-FMC-100
Size	50mm / 3"	80mm / 3"	100mm / 4"
Flow Rate Range	38-380L/min	75-750L/min	150-1500L/min
Max. Working Pressure	150PSI		
Accuracy	±0.2%		
Repeatability	0.07%		

PACKAGE DATA:	
Model	BLB-FMC-50
Dimension	59X34X57cm
Net Weight	42kg
Gross Weight	57kg
Package	7pc/WOODEN CASE

APPLICATION

Application includes: batching, dispensing inventory control, and custody transfer of oils, solvents, chemicals, paints, fats and fertilizer.



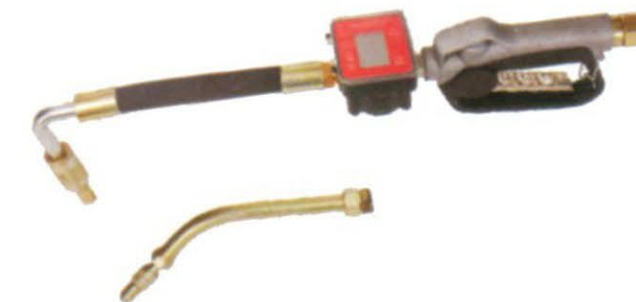
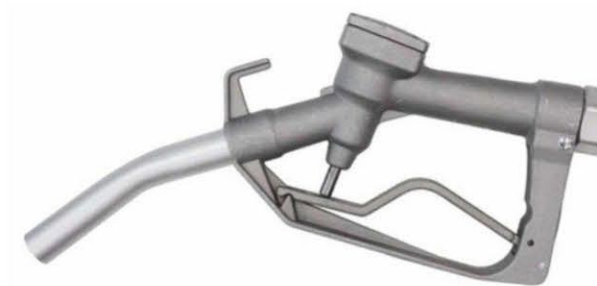
2" Air eliminator and stainer



2" Preset valve



4" Air eliminator and stainer





AUTOMATIC NOZZLE SERIES



BZL-A01

11A Auto Nozzle is made of alloy aluminum. It is exquisite, durable and reliable, which fully meets the requirements of customers. The product is applicable for fuel transfer like diesel, kerosene and gasoline.

TECHNICAL DATA	
Model	BZL-A01
Name	11A Auto Nozzle
Inlet Size(inch)	BSPT/NPT 3/4"
Outlet Size(inch)	13/16" or 15/16"
Flow Rate(l/min)	0-60
Color	Black/Blue/Yellow/Green/Red/Grey



BZL-A02

TECHNICAL DATA	
Model	BZL-A02
Name	120 Auto Nozzle
Inlet Size(inch)	BSPT/NPT 1"
Outlet Size(inch)	19/16"
Flow Rate(l/min)	0-120



BZL-A03

TECHNICAL DATA	
Model	BZL-A03
Name	BADA Nozzle
Inlet Size(inch)	3/4"
Outlet Size(inch)	13/16" / 15/16"
Flow Rate(l/min)	0-60



BZL-A04

TECHNICAL DATA	
Model	BZL-A04
Name	Stainless Steel Nozzle
Inlet Size(inch)	3/4"
Outlet Size(inch)	13/16"
Flow Rate(l/min)	0-60

AUTOMATIC NOZZLE SERIES



BZL-A05



BZL-A06



BZL-A07



BZL-A08



BZL-A09

TECHNICAL DATA	
Model	BZL-A05
Name	SS+Plastic
Inlet Size(inch)	3/4"
Outlet Size(inch)	13/16"
Flow Rate(l/min)	0-60

TECHNICAL DATA	
Model	BZL-A06
Name	Auto Plastic Nozzle
Inlet Size(inch)	BSPT/NPT 1"
Outlet Size(inch)	13/16" or 15/16"
Flow Rate(l/min)	0-60

TECHNICAL DATA	
Model	BZL-A07
Name	ZVA80
Inlet Size(inch)	3/4"
Outlet Size(inch)	13/16" or 15/16"
Flow Rate(l/min)	0-60

TECHNICAL DATA	
Model	BZL-A08
Name	ZVA120
Inlet Size(inch)	1"
Outlet Size(inch)	16/19"
Flow Rate(l/min)	0-120

TECHNICAL DATA		
Model	BZL-A09	LPG NOZZLE
Inlet Size(inch)	3/4"	1"
Flow Rate(l/min)	0-60	0-60
Max. Pressure(PSI)	350	
Temperature	-40°C to 80°C(-40° F to 185° F)	
Body	Aluminium	
Internal Component	Brass/Steel	
External Component	Brass/Stainless Steel	



METERING NOZZLE SERIES

Metering Nozzles are designed with high accuracy, convenient handling, good visibility, dual-measurement and with artistic appearance and steady fuction. The nozzles are applicable for insertion pipe as well as swivel pipe inlet, for filling diesel, gasoline and engine oil. Metering displays are divided into electronic and mechanical types.



BZL-A10

TECHNICAL DATA	
Model	BZL-A10
Inlet Size(inch)	BSPT / NPT 1"
Flow Rate(l/min)	0-60
Accuracy	± 0.5%



BZL-A11

TECHNICAL DATA	
Model	BZL-A11
Inlet Size(inch)	BSPT / NPT 1"
Flow Rate(l/min)	0-60
Accuracy	± 0.5%



BZL-A12

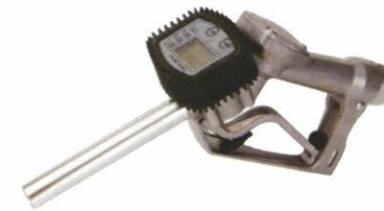
TECHNICAL DATA	
Model	BZL-A12
Inlet Size(inch)	BSPT / NPT 1"
Flow Rate(l/min)	0-60
Accuracy	± 0.5%



BZL-A13

TECHNICAL DATA	
Model	BZL-A13
Inlet Size(inch)	BSPT / NPT 1"
Flow Rate(l/min)	0-60
Accuracy	± 0.5%

METERING NOZZLE SERIES



BZL-A14

TECHNICAL DATA	
Model	BZL-A14
Inlet Size(inch)	BSPT / NPT 1"
Flow Rate(l/min)	0-60
Accuracy	± 0.5%



BZL-A15

TECHNICAL DATA	
Model	BZL-A15
Inlet Size(inch)	BSPT / NPT 1"
Flow Rate(l/min)	0-60
Accuracy	± 0.5%



BZL-A16

TECHNICAL DATA	
Model	BZL-A16
Inlet Size(inch)	BSPT / NPT 3/4" 1"
Flow Rate(l/min)	0-60
Accuracy	± 0.5%



BZL-A17

TECHNICAL DATA	
Model	BZL-A17
Flow Rate(l/min)	20-120
Inlet/Outlet(inch)	BSPT / NPT 1"
Max.Pressure(bar)	3
Accuracy	± 1%



BZL-A18

TECHNICAL DATA	
Model	BZL-A18
Inlet Size(inch)	BSPT / NPT 1 / 2"
Flow Rate(l/min)	1-30
Accuracy	0.5%
Repeatability	0.2
Max. Pressure(mpa)	7
Dischargr/Round(ml/r)	25
Battery Power(V)	2x1.5



MANUAL NOZZLE SERIES

Manual Nozzles are made of alloy aluminum and designed with customers' requirements, which are light and convenient to use.



BZL-A19

TECHNICAL DATA	
Model	BZL-A19
Name	13A Nozzle
Inlet Size(inch)	BSPT / NPT 3/4" or 1"
Flow Rate(l/min)	0-60



BZL-A20

TECHNICAL DATA	
Model	BZL-A20
Name	13B Nozzle
Inlet Size(inch)	BSPT / NPT 1"
Flow Rate(l/min)	0-60



BZL-A21

TECHNICAL DATA	
Model	BZL-A21
Name	13B Nozzle
Inlet Size(inch)	BSPT / NPT 1"
Flow Rate(l/min)	0-60



BZL-A22

TECHNICAL DATA	
Model	BZL-A22
Name	Chemical Nozzle
Inlet Size(inch)	BSPT / NPT 3/4" or 1"
Flow Rate(l/min)	0-60

MANUAL NOZZLE SERIES



BZL-A23

TECHNICAL DATA	
Model	BZL-A23
Name	All Chemical
Inlet Size(inch)	BSPT / NPT 3/4" 1"
Flow Rate(l/min)	0-60



BZL-A24

TECHNICAL DATA	
Model	BZL-A24
Name	Barrel Nozzle
Inlet Size(inch)	BSPT / NPT 1"-4"
Flow Rate(l/min)	0-60



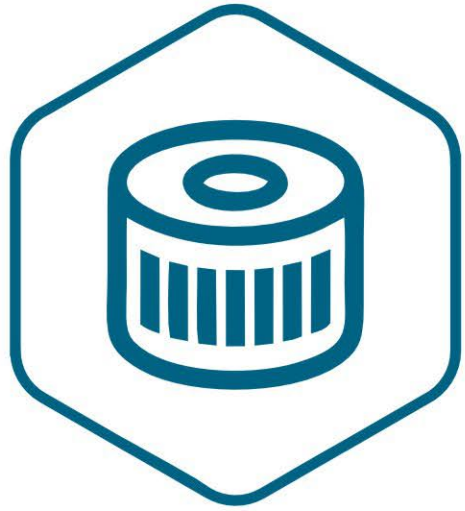
BZL-A25

TECHNICAL DATA	
Model	BZL-A25
Name	Auto Chemical Nozzle
Inlet Size(inch)	BSPT/NPT
Flow Rate(l/min)	1.5" 0-200
	2" 0-290



BZL-A26

TECHNICAL DATA	
Model	BZL-A25
Name	1290 Manual Nozle
Inlet Size(inch)	19/16"
Flow Rate(l/min)	0-290



ACCESSORIES



**STAINLESS
STEEL FILTER**

- BLA-FL-9E
• STAINLESS STEEL FILTER
• 16PCS/CTN 24/25KGS
58X58X29.5CM



**STAINLESS
STEEL FILTER**

- BLA-FL-9EA
• STAINLESS STEEL FILTER
• 16PCS/CTN 21/20KGS
45X58X29.5CM



FIBRE FILTER

- BLA-FL-9D
• FIBRE FILTER
• 16PCS/CTN 25/26KGS
58X58X29.5CM



- BLA-GL-4
Filter
• STAINLESS STEEL STRAINER
• INLET:BSPT 1"
• OUTLET:BSPT 1"
• 25PCS/CTN:13/12KGS
• MEAS:44X50X15CM



- BLA-FL-3A
• Filter for particulate removal
• 30 micron
• 1"-12 Unf
• 5 1/2" Length



- BLA-FL-3B
• Filter for particulate removal
• 30 micron
• 1 1/2"-16 Unf
• 5 1/2" Length



- BLA-FL-7A
• Filter for particulate removal
• 30 micron
• 1"-12 Unf
• 8" Length



- BLA-FL-7B
• Filter for particulate removal
• 30 micron
• 1 1/2"-16 Unf
• 8" Length



- BLA-FL-3D
• Filter for particulate removal
• 30 micron
• 1 1/2"-16 Unf
• 5 1/2" Length



- BLA-FL-7D
• Filter for particulate removal
• 30 micron
• 1 1/2"-16 Unf
• 8" Length



- BLA-FL-3E
• Filter for particulate removal
• 30 micron
• 1 1/2"-16 Unf
• 5 1/2" Length



- BLA-FL-7E
• Filter for particulate removal
• 30 micron
• 1 1/2"-16 Unf
• 8" Length



- BLA-GL-1A
Filter Holder
• Material: Aluminum
• Inlet: Bspt 1"
• Outlet: Bspt 1"
• Filter thread: 1"-12 Unf



- BLA-GL-2A
Filter Holder
• Material: Aluminum
• Inlet: Bspt 1"
• Outlet: Bspt 1"
• Filter thread: 1 1/2"-16 Unf



- BLA-GL-2
Filter Holder
• Material: Aluminum
• Inlet: Bspt 1"
• Outlet: Bspt 1"
• Filter thread: 1 1/2"-16 Unf



- BLA-GL-5
Filter Holder
• Material: Aluminum
• Inlet: Bspt 1"
• Outlet: Bspt 1"

COUPLINGS



BLC-01



BLC-02



BLC-03



BLC-04



BLC-05



BLC-06



BLC-07



BLC-08



BLC-09



BLC-05A

Brass swivel

Bottom Valve



BL-BV34



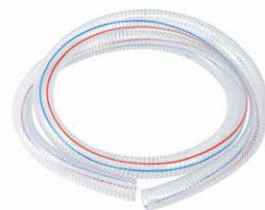
BL-BV11



BLH-1
•4M RUBBER HOSE
•WITH BRASS FITTING



BLH-2
•4M PVC HOSE



BLH-3
•2M PVC HOSE



BLC-A01
•CONNECTOR
•2 PCS/SET



BLC-10-A
BLC-10-B
BLC-10-C

- BLC-10-A BSP3/4"(M)xBSP3/4"(F)
- BLC-10-B BSP3/4"(M)xBSP1"(F)
- BLC-10-C BSP1"(M)xBSP1"(F)



BLC-11-A
BLC-11-B
BLC-11-C

- BLC-11-A BSPT3/4"X5/8" I.D
- BLC-11-B BSPT3/4"X3/4" I.D
- BLC-11-C BSPT1"x1" I.D



BLC-12-A
BLC-12-B

- BLC-12-A 3/4"
- BLC-12-B 1"
- BODY: ALUMINUM
- OUTLET ADAPTOR: BRASS
- SEALS: VITON



BLC-13-A
BLC-13-B
BLC-13-C

- BLC-13-A BSP3/4"(M)xBSP3/4"(F)
- BLC-13-B BSP3/4"(M)xBSP1"(F)
- BLC-13-C BSP1"(M)xBSP1"(F)



BLC-14-A
BLC-14-B

- BLC-14-A 3/4"
- BLC-14-B 1"
- BODY: BRASS



BLC-15-A
BLC-15-B

- BLC-15-A 3/4"
- BLC-15-B 1"
- BODY: BRASS



BLC-16-A
BLC-16-B
BLC-16-C

- BLC-16-A BSP3/4"(M)xBSP3/4"(F)
- BLC-16-B BSP3/4"(M)xBSP1"(F)
- BLC-16-C BSP1"(M)xBSP1"(F)



BLC-17-A
BLC-17-B

- BLC-17-A 3/4"
- BLC-17-B 1"
- BODY: ALUMINIUM



BLC-18-A
BLC-18-B

- BLC-18-A 1.5"
- BLC-18-B 2"
- BODY: CAST IRON

DIAPHRAGM PUMP
WATER PUMP
LITHIUM BATTERY PUMP



ELECTRIC DIAPHRAGM PUMP

Self-Priming, energy saving.
Permanent magnet
Fluorine rubber check valve and diaphragm material special designed for AdBlue/chemicals



DYB-40D



DYB-40DA



DYB-40DA-A



DYB-40DA-B

TECHNICAL DATA								
Model	Voltage (V)	Power (W)	Max Flow (L/min)	Fluids type	Inlet&Outlet (inch)	PRESSURE (Bar)	SPEED (RPM)	By pass Valve
DYB-40D-12V	12	400	30	Ad	1"	3	2900	YES
DYB-40D-24V	24	400	30	Ad	1"	3	2900	YES
DYB-40DA	220	400	35	Ad	1"	3	2900	YES
DYB-40DA-A	220	400	35	Ad	1"	3	2900	YES
DYB-40DA-B	220	400	35	Ad	1"	3	2900	YES



WATER PUMPS



DISPENSERS HOSE REEL



METERS



NOZZLES



ACCESSORIES



DIAPHRAGM PUMPS



WATER PUMPS



LITHIUM BATTERY PUMPS

WATER PUMP



- Compact size, anti-water seal
- Energy saving, large flow, anti-rust.
- Application: Agriculture Irrigation and aquaculture



BL-25



ZQB-12/24



ZQB-60W



QB60(DC)



QB60(AC)

TECHNICAL DATA

Model	Max Flow (L/min)	Voltage (V)	Power (W)	Motor Speed (rpm)	Max Current (A)	SIZE	HEAD (m)
BL-25-12V	70	12	50	4800	5.4	25mm	4
BL-25-24V	70	24	50	4800	2.6	25mm	4
ZQB-12V	50	12	160	3600	9	25mm	10
ZQB-24V	50	24	160	3600	6	25mm	10
ZQB-60W	60	220	600	5000	2.5	25mm	30
QB60-12V	35	12	200	3200	15	1"	25
QB60-24V	35	24	200	3200	8	1"	25
QB60-220V	40	220	370	2850	2.5	1"	30

Automatic Boosting Pump Manual



APPLICATION:

- For boosting water pressure such as shower, solar water heaters.
- Circulating hot water for industrial equipment
- Increasing oxygen for rearing ponds or fish tanks

MOUNTING:

- 1)The motor and the pump united as one, working on the water, more reliable.
- 2)Easy to install, operate and maintain, less space demand, no pump house needed
- 3)Simple structure, less cost ,equip with start control box or digital auto-control box.



WG15G-10B



WG15G-15B



WG15G-20B

TECHNICAL DATA

Model	Voltage (V/Hz)	Power (W)	Flow (L/min)	Head (m)	Speed (rpm)	Size (mm)
WG15G-10B	220/50	90	20	10	2850	15*15
WG15G-15B	220/50	120	25	15	2850	15*15
WG15G-20B	220/50	240	30	20	2850	15*15



LITHIUM BATTERY PUMPS



DISPENSERS HOSE REEL



METERS



NOZZLES



ACCESSORIES



DIAPHRAGM PUMPS



WATER PUMPS



LITHIUM BATTERY PUMPS

CJ-40 series JET water pump



CJ-40 series JET water pump

Progressive powered by Lithium Battery System, without external power supply.
Portable advantage exquisite design easy to carry and not limited conventional AC power supply.
Avoid the constant power consumption problem of outdoor.
Enable variety environment usage.

The battery compartment is sealed and waterproofed once closed.
Pump can't be switched on while it remains open, ensuring that battery always protected from water splashes. Available either as battery and charger complete set, or as bare tool for suitable battery from choosing range. Support to connect with standard garden hose, enabling to garden or containers without bucket forth.

Specifications

Available either as a complete boxed set with battery and charger.
Or as a bare tool for suitable battery from all range power.
Without battery is available (ONLY pump)
Battery Standard configuration: MAKITA model
Battery Socket Optional:
MAKITA, BOSCH, MILWAUKEE and DeWALT model socket

Features & Benefits

- Cordless water pump for water transferring from container or tank.
- Enables to transfer water all over the garden without making trips back to refill.
- Adopting a manufacturer Power for 2*18V power tool battery.
- Shares battery compatibility with a wide range of tools for the home and garden.
- Battery compartment is waterproof once closed.
- Pump can not be switched on while the battery compartment is open.

Model No.	CJ-40	CJ-40B (brushless)
Battery Voltage	2X18V	2X18V
Power	280W	280W
Flow Rate	50L/min	50L/min
Speed	5500rpm	6000rpm
Head	16-23M	17-28M
Battery Endurance Time	2.0Ah (30min); 4.0Ah (60min); 6.0Ah (90min)	

DYB-30M series self-priming water pump



DYB-30M series self-priming water pump which is powered by Lithium Power Battery.
Comes with an 18V battery pack, application for water transportation and garden irrigation.

Progressive powered by Lithium Battery System, without external power supply.
Portable advantage exquisite design easy to carry and not limited conventional AC power supply.
Avoid the constant power consumption problem of outdoor.
Enable variety environment usage.

The battery compartment is sealed and waterproofed once closed.
Pump can't be switched on while it remains open, ensuring that battery always protected from water splashes.
Available either as battery and charger complete set, or as bare tool for suitable battery from choosing range.
Support to connect with standard garden hose, enabling to garden or containers without bucket forth.

Features & Benefits

- Cordless water pump for water transferring from container or tank.
- Enables to transfer water all over the garden without making trips back to refill.
- Adopting a manufacturer Power for 18V power tool battery.
- Shares battery compatibility with a wide range of tools for the home and garden.
- Battery compartment is waterproof once closed.
- Pump can not be switched on while the battery compartment is open.

Specifications

- Power: Lithium Battery System
- Battery Voltage: 18V
- Power: 100W
- Max Flow Rate: 30L/min
- Speed: 2800rpm
- Max Head: 13M
- Battery Endurance Time
2.0Ah (30min); 4.0Ah (50min)

Available either as a complete boxed set with battery and charger.
Or as a bare tool for suitable battery from all range power.
Without battery is available (ONLY pump)

Battery Standard configuration:
MAKITA model

Battery Socket Optional:
MAKITA, BOSCH, MILWAUKEE and DeWALT model socket



LITHIUM BATTERY PUMPS



DISPENSERS HOSE REEL



METERS



NOZZLES



ACCESSORIES



DIAPHRAGM PUMPS



WATER PUMPS



LITHIUM BATTERY PUMPS

CS-30 series submersible water pump



CS-30 series submersible water pump which is powered by Lithium Power Battery. Comes with an 18V battery pack, application for water transportation and garden irrigation.

Progressive powered by Lithium Battery System, without external power supply. Portable advantage exquisite design easy to carry and not limited conventional AC power supply. Avoid the constant power consumption problem of outdoor. Enable variety environment usage.

The battery compartment is sealed and waterproofed once closed. Pump can't be switched on while it remains open, ensuring that battery always protected from water splashes. Available either as battery and charger complete set, or as bare tool for suitable battery from choosing range. Support to connect with standard garden hose, enabling to garden or containers without bucket forth.

Supplied with wall-mount holder of battery compartment that enables to fix it to the wall next to water tank. Alternatively a hook adaptor is also included which enables to clip it onto solid objects. Battery Status unit LED display when pumps running low on charge. Compact control panel including timer function with alternative watering duration for choosing.

Available either as a complete boxed set with battery and charger. Or as a bare tool for suitable battery from all range power. Without battery is available (ONLY pump)

Battery Standard configuration: MAKITA model

Battery Socket Optional:

MAKITA, BOSCH, MILWAUKEE and DeWALT model socket

Specifications

- Power: Lithium Battery System
- Battery Voltage: 18V
- Power: 100W
- Max Flow Rate: 35L/min
- Speed: 15000rpm
- Max Head: 17M
- Battery Endurance Time
2.0Ah (30min); 4.0Ah (60min)

CS-40 series submersible water pump



Specifications

Progressive powered by Lithium Battery System, without external power supply. Portable advantage exquisite design easy to carry and not limited conventional AC power supply. Avoid the constant power consumption problem of outdoor. Enable variety environment usage.

Built-in waterproof switch standard equipped remote control switch function. Convenient transfer water from river, lake, pond and water tank. Max hose size: 3/4"

Application: garden irrigation, wild camping and some outdoor water pumping.



Model No.	CS-40		CS-40B (brushless)	
Battery Voltage	18V		36V	
Power	100W		200W	
Flow Rate	35L/min		70L/min	
Speed	15000rpm		8000rpm	
Head	17M		12M	
Battery Endurance Time	CS-40-4.0	4.0Ah (60min)	CS-40B-2.4	2.4Ah (35min)
	CS-40-6.0	6.0Ah (90min)	CS-40B-4.0	4.0Ah (60min)



LITHIUM BATTERY PUMPS



DISPENSERS HOSE REEL



METERS



NOZZLES



ACCESSORIES



DIAPHRAGM PUMPS



WATER PUMPS



LITHIUM BATTERY PUMPS

CS-40C series submersible water pump

Specifications

Progressive powered by Lithium Battery System, without external power supply.
Portable advantage exquisite design easy to carry and not limited conventional AC power supply.
Avoid the constant power consumption problem of outdoor.
Enable variety environment usage.

Built-in waterproof switch standard equipped remote control switch function.
Convenient transfer water from river/lake, pond and water tank.
Hose size: 3/4, 2".

Application garden irrigation, wild camping and some outdoor water pumping.



Model No.	CS-40C-1		CS-40C-2	
Battery Voltage	36V		36V	
Power	160W		240W	
Flow Rate	70L/min		120L/min	
Speed	3200rpm		3200rpm	
Head	10M		10M	
Battery Endurance Time	CS-40C-1-2.6	2.6Ah(45min)	CS-40C-2-4.5	4.5Ah(40min)
	CS-40C-1-4.5	4.5Ah(70min)		

CS-30S series submersible water pump



CS-30S series submersible water pump which is powered by Lithium Power Battery.
Comes with an 18V battery pack, application for water transportation and garden irrigation.

Progressive powered by Lithium Battery System, without external power supply.
Portable advantage exquisite design easy to carry and not limited conventional AC power supply.
Avoid the constant power consumption problem of outdoor.
Enable variety environment usage.

The battery compartment is sealed and waterproofed once closed.
Pump can't be switched on while it remains open, ensuring that battery always protected from water splashes.
Available either as battery and charger complete set, or as bare tool for suitable battery from choosing range.
Support to connect with standard garden hose, enabling to garden or containers without bucket forth.

Supplied with wall-mount holder of battery compartment that enables to fix it to the wall next to water tank.
Alternatively a hook adaptor is also included which enables to clip it onto solid objects.
Battery Status unit LED display when pumps running low on charge.
Compact control panel including timer function with alternative watering duration for choosing.

Available either as a complete boxed set with battery and charger.
Or as a bare tool for suitable battery from all range power.
Without battery is available (ONLY pump)
Battery Standard configuration: MAKITA model
Battery Socket Optional:
MAKITA, BOSCH, MILWAUKEE and DeWALT model socket

Specifications

- Power: Lithium Battery System
- Battery Voltage: 18V
- Power: 100W
- Max Flow Rate: 35L/min
- Speed: 15000rpm
- Max Head: 17M
- Battery Endurance Time
2.0Ah (25min);
4.0Ah (50min)
6.0Ah (75min)

LITHIUM BATTERY FUEL PUMPS

DYB-40B Lithium Battery Fuel Pumps

Progressive powered by Lithium Battery System, without external power supply.

Portable advantage exquisite design easy to carry and not limited conventional AC power supply.

Avoid the constant power consumption problem of outdoor.

Enable variety environment usage.

TECHNICAL DATA

Voltage	18V
Power	160W
Flow Rate	40L/min
Speed	3200rpm
Head	10m
Time	2.0 (15min) , 4.0 (30min) , 6.0 (45min)



DYB-40B

DC FUEL TRANSFER PUMP

Electric self-priming compact portable rotary vane pump.

Built-in bypass valve design for safe and dependable fuel delivery.

Available to equip with fuel transfer accessories: Flow meter,

Nozzle and stationary installations.

TECHNICAL DATA

Voltage	12/24V
Power	300W
Flow Rate	55L/min
Speed	2800rpm
Head	14m



DYB-50UJ

APPENDIX

GREASE DISTRIBUTION EQUIPMENT

These are industrial piston pumps suitable for transferring grease and thick oil at high pressure, over both short and long distances, thanks to the high compression ratio.



Universal Grease Gun Coupler



Plastic Pressure Plate



3.7m Dual-Steel Braided Hose



BL-8QA-12L



BL-8QA-20L



BL-50Q-40L



BL-16Q-40L

TECHNICAL DATA												
MODEL	DRUM CAPACITY	PRESSURE RATIO	WORKING PRESSURE	MAX.FLUID PRESSURE	CYLINDER DIA	AIR CONSUMPTION	MAX.FREE FLOW RATE	SUCTION TUBE DIAMETER	SUCTION TUBE LENGTH	INLET/OUTLET	GROSS WEIGHT	PACKAGE VOLUME
BL-8QA-12L	12KG	50:1	5-8bar	400bar	70mm	8bar 120L/min	800g/min	30mm/ 1.20'	400mm/ 17.5'	1/4'	11.1kg	345*305*820mm
BL-8QA-20L	20KG	50:1	5-8bar	400bar	70mm	8bar 120L/min	800g/min	30mm/ 1.20'	440mm/ 17.5'	1/4'	14kg	355*330*785mm
BL-16Q-40L	40KG	55:1	5-8bar	440bar	108mm	8bar 150L/min	1300g/min	32mm/ 1.20'	440mm/ 17.5'	1/4'	19.8kg	415*415*855mm
BL-50Q-40L	40KG	80:1	5-8bar	600bar	80mm	8bar 120L/min	800g/min	30mm/ 1.20'	440mm/ 17.5'	1/4'	16.2kg	400*400*815mm

PNEUMATIC LUBRICATING OIL PUMP

This is an oil piston pump, suitable for transferring medium viscosity oil over short distances. It is manufactured using selected materials to ensure high performance and durability.



BL-940A

TECHNICAL DATA	
Weight:	8kg
Pressure ratio:	5:1
Work pressure:	5-8bar
Oil delivery rate:	34L/min
Inlet size:	1/4"
Oil outlet size:	1/2"
Gas consumption:	8bar150L/Lmin
Bucket range:	180-200kg
Maximum oil pressure:	40bar
Oil suction pipe length:	940mm/37"
Oil suction pipe diameter:	50mm/1.97"
Cylinder diameter:	108mm
Packaging size:	195x185x1335mm



BL-940B

TECHNICAL DATA	
Weight:	6kg
Pressure ratio:	3:1
Work pressure:	5-8bar
Oil delivery rate:	12L/min
Inlet size:	1/4"
Oil outlet size:	1/2"
Gas consumption:	8bar110L/Lmin
Bucket range:	180-200kg
Maximum oil pressure:	24bar
Oil suction pipe length:	940mm/37"
Oil suction pipe diameter:	50mm/1.97"
Cylinder diameter:	70mm
Packaging size:	155x150x1735mm



BL-94C

TECHNICAL DATA	
Drum capacity	180-220kg
Pump No.	BL94A
Air regulator	91015
Digital control gun	90203N
Connection hose	90901-3
Drum trolley	90304A
Oilhose reel	/
Weight	31kg
Package volume	815x675x145mm 155x150x1265mm



BL-940D

TECHNICAL DATA	
Pump No.	BL940A
Drum capacity	180-200kg
Trolley	90305A
Digital control oil gun	90203N
Hose reel	TT500C1
Weight	76kg
Package volume	965x665x185mm 195x185x1135mm 450x240x573mm